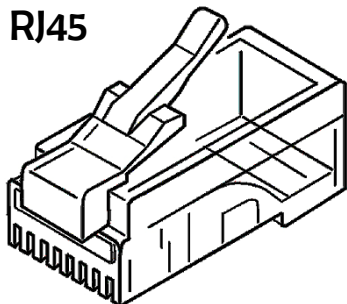


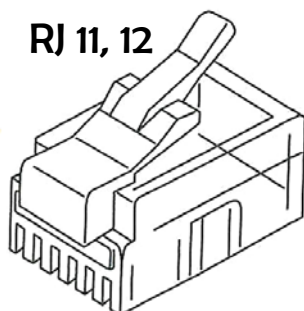


# Standard Modular Plugs

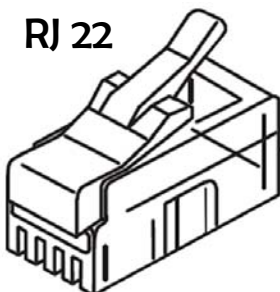
RJ45



RJ 11, 12



RJ 22



## Description

Traditional style modular plugs for use in terminating cables in both telephone and data applications. Manufactured to comply with FCC 68 guidelines and are UL listed.

- Multiple position & contact configuration styles available.
- Round & flat cable versions.
- 2 prong stranded conductor contact.
- 3 prong solid conductor contact.
- Gold plated contacts provide reliable performance and long life.

## Application

- Telecommunications.
- Datacommunications.

## Technical Data

- Plug Material: Polycarbonate
- Flammability Rating: UL94V-2
- Contact Material: Phosphor Bronze
- Plating: 15µ Gold
- COO Taiwan

## Ordering information

Description	Cable Type	Wire Type	500 Pc. Bag	100 Pc. Jar
RJ-22 (4P4C)	Flat	Stranded	106100	106103J
RJ-11 (6P4C)	Flat	Stranded	106110	106113J
RJ-11 (6P4C)	Round	Stranded	106115	106118J
RJ-11 (6P4C)	Round	Solid (3 Prong)	106120	106123J
RJ1-12 (6P6C)	Flat	Stranded	106125	106128J
RJ-12 (6P6C)	Round	Stranded	106130	106133J
RJ-12 (6P6C)	Round	Solid (3 Prong)	106135	106138J
RJ-45 (8P8C)	Flat	Stranded	106140	106143J
RJ-45 (8P8C)	Round	Stranded	106145	106148J
RJ-45 (8P8C)	Round	Solid (3 Prong)	106150	106153J