

INSTALLATION MANUAL – SHD-B-3100FP1 Recessed Plenum Backbox for Samsung Indoor and Outdoor Dome Cameras

Unpacking

Unpack carefully. This is mechanical equipment and should be handled with care. If an item appears to have been damaged in shipment, replace it properly in its carton and notify the shipper. If any items are missing, notify BroadSight Systems, Inc. The shipping carton is the safest container in which the unit may be transported. Save it for possible future use.

Service

If the unit ever needs repair service, the customer should contact BroadSight Systems, Inc. for a return materials authorization (RMA) and shipping instructions.

Care and Maintenance

Perform routine maintenance to keep the unit dust free.

Model Designation

SHD-B-3100FP Recessed Plenum Backbox Mount for Samsung Indoor and Outdoor Dome Cameras

Description

The Backbox is inserted to a hole cut into a ceiling tile and secured with toggle bolts. The camera attaches to a separate bracket. The camera/bracket assembly then attach to the Backbox before the trim ring is installed.

Hardware Kit

- 1 x Camera bracket
- 6 x Mount feet (three sets of two feet, see Note)
- 4 x M3 x 6mm Pan head Phillips screws
- 4 x M3 Flat washers
- 4 x M4 Pan Head Phillips screws
- 4 x M4 hex nuts
- 3 x #10-32 x 3/8" Socket head cap screws
- 2 x #6-32 Pan head Phillips screws
- 3 x #6-32 Oval head slotted screws

Tools Required

- 5/32" Hex Wrench
- Flat blade screwdriver
- #1 Phillips head screwdriver

Certification

Camera installation should be performed by a licensed professional and conform to the National Electrical Code (NEC) and any applicable local codes.

Installation

1. Hold the included template up to the ceiling tile and mark the area to be cut away, or mark a 7.5-inch diameter circle. Cut out the shape in the ceiling tile as needed.
2. Carefully insert the backbox into the hole in the ceiling tile. Compress the toggle bolts when inserting them into the tile.
3. Tighten the toggle bolts until the flange of the backbox is flush with the bottom of the ceiling tile.
4. If required, attach a support wire (not included) to the 3/16" hole in the hanger bracket on the top of the backbox.
5. Knockouts are provided that accept 1/2" conduit fittings. Detach knockout(s) as needed to allow cable entry into the unit.

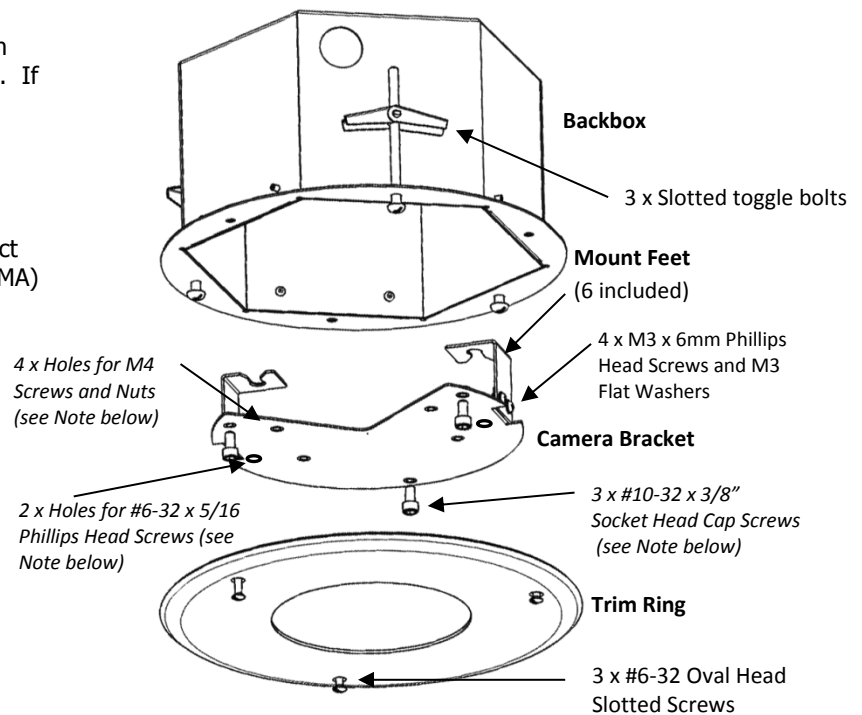


Figure 1 - Backbox Exploded View

6. Attach camera to camera bracket using the hardware referenced in the Note below. Attach the appropriate Mount Feet to the Camera Bracket as shown in Figure 1 using four (4) M3x6mm screws and M3 flat washers.

Note: Three (3) sets of Mount Feet and three (3) sets of camera fasteners are included:

If installing the **SNV-7082 (Group 1)** camera, use the **SHORTEST** (3/4" tall) mount feet and attach the camera using the four (4) M4 Pan Head Phillips screws and M4 nuts.

If installing the **SNV-5084 (Group 2)**, use the **MIDDLE** (1.5" tall) mount feet and attach the camera using the three (3) #10-32 x 3/8" Socket Head Cap Screws.

If installing the **SND-5084 (Group 3)**, use the **TALLEST** (2" tall) mount feet and attach the camera using the two (2) #6-32 Pan head Phillips screws.

7. Locate screws in the base of the backbox that the mount feet will attach to. Align the screw heads with the slots and rotate the camera slightly clockwise to secure.
8. Install trim ring using 3 x #6-32 screws.

Compatible Model List

Group 1 - Shortest Screws: SCV-2080, SCV-3080, SNV-3082, SNV-3120, SNV-5080, SNV-5080R, SNV-7082, SNV-7080R

Group 2 – Middle Screws: SCV-6081R, SNV-5084, SNV-5084R, SNV-6084, SNV-6084R, SNV-7084, SNV-7084R

Group 3 – Tallest Screws: SND-5084, SND-5084R, SND-6084, SND-6084R, SND-7084, SND-7084R