

GV-1480A / GV-1240A / GV-1120A

GV-Combo A Card (GV-1120A, GV-1240A and GV-1480A) are the three-in-one combo cards, providing one single card solution for 16 video / audio recording, real-time display and TV-out display.

Minimum System Requirements

OS	32-bit	Windows XP / Windows Vista / Windows 7 / Windows Server 2008	
	64-bit	Windows 7 / Windows Server 2008	
CPU	GV-1120A	Pentium 4, 3.0 GHz with Hyper-Threading	
	GV-1120A x 2	Pentium 4, 3.0 GHz Dual Core	
	GV-1240A	Pentium 4, 3.0 GHz Dual Core	
	GV-1240A x 2	Core 2 Duo, 2.53 GHz	
	GV-1480A	Core 2 Duo, 3.0 GHz	
	GV-1480A x 2	Core 2 Quad, 2.4 GHz	
RAM	Windows XP	2 x 512 MB Dual Channels	
	Windows Vista / 7 / Server 2008	2 x 1 GB Dual Channels	
HDD	GV-1120A	80 GB	
	GV-1120 A x 2	160 GB	
	GV-1240A	120 GB	
	GV-1240A x 2	250 GB	
	GV-1480A	250 GB	
	GV-1480A x 2	500 GB	
VGA	ATI Radeon X1300 PCI-E / NVIDIA GeForce 7300 PCI-E		
DirectX	9.0c		

Packing List (D-Type)

- | | |
|--------------------------------|--------------------------------------|
| 1. GV-Combo A Card x 1 | 7. Internal Power Y Cable x 1 |
| 2. Audio Extension Card x 1 | 8. Hardware Watchdog Jumper Wire x 1 |
| 3. 1-8 D-Type Video Cable x 1 | 9. Software CD x 1 |
| 4. 9-16 D-Type Video Cable x 1 | 10. Feature Guide x 1 |
| 5. 1-8 D-Type Audio Cable x 1 | 11. Installation Guide x 1 |
| 6. 9-16 D-Type Audio Cable x 1 | |

Packing List (DVI-Type)

- | | |
|---|--------------------------------------|
| 1. GV- Combo A Card x 1 | 6. Internal Power Y Cable x 1 |
| 2. 1-8 DVI-Type Video plus TV Out Cable x 1 | 7. Hardware Watchdog Jumper Wire x 1 |
| 3. 9-16 DVI-Type Video Cable x 1 | 8. Software CD x 1 |
| 4. 1-8 DVI-Type Audio Cable x 1 | 9. Feature Guide x 1 |
| 5. 9-16 DVI-Type Audio Cable x 1 | 10. Installation Guide x1 |

Connecting One GV-Combo A Card (D-Type)

- Plug the Audio Extension Card in the assigned connectors on the GV-Combo A Card.
- Connect D-Type video and audio cables to the GV-Combo A Card and Audio Extension Card respectively.
- Connect the PC's internal power supply to the GV-Combo A Card.
- Connect the TV monitor to the GV-Combo A Card if needed.

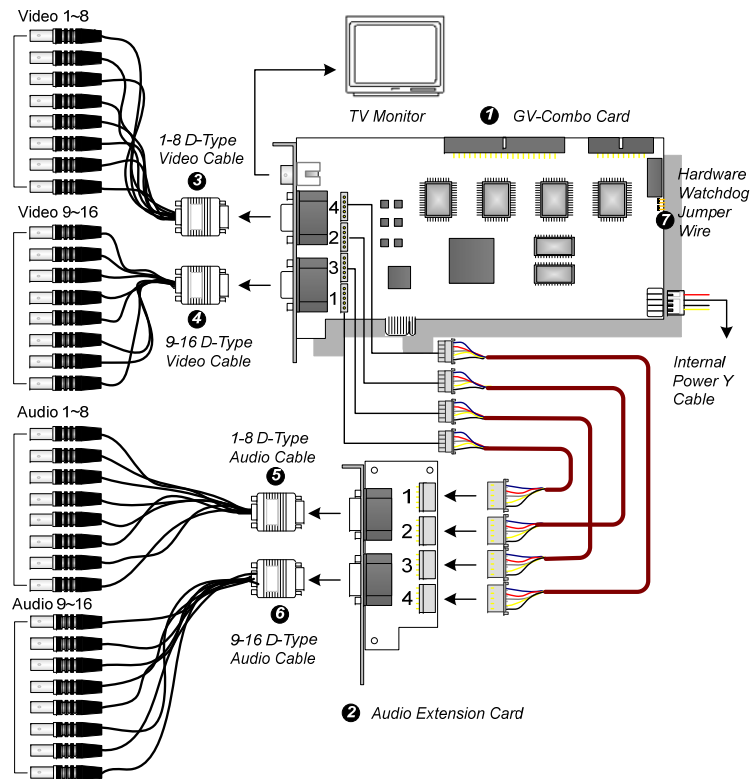


Figure 1-6

Note: The Card only works when it connects to PC's power supply with the supplied Internal Power Y Cable.

Connecting One GV-Combo A Card (DVI-Type)

- Connect the DVI video and audio cables to the GV-Combo A Card.
- Connect the PC's internal power supply to the GV-Combo A Card.
- Connect the DVI TV Out cable to the TV monitor if needed.

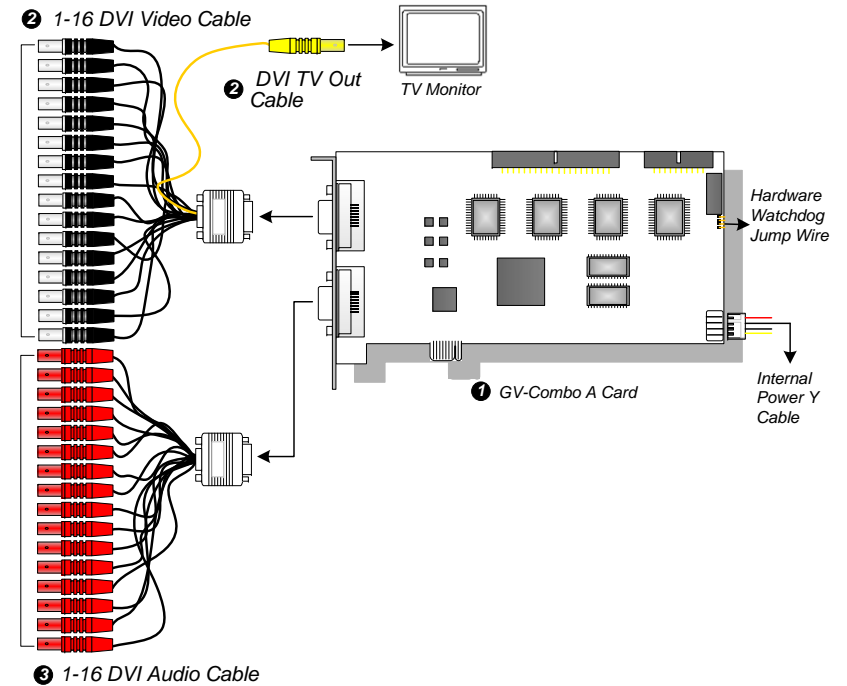


Figure 1-7

Note: The Card only works when it connects to PC's power supply with the supplied Internal Power Y Cable.

Connecting Two GV-Combo A Cards

You can install two GV-Combo A Cards of the same model for up to 32 channels. Master Card is the card with 1-16 channels and Slave Card is that with 17-32 channels. Normally, the card attached to the lower PCI slot number will act as Master, and the card attached to the higher PCI slot number will act as Slave.

- **TV Output Connection:** The RCA connector in the Master Card is for displaying 1-16 channels, and the one in the Slave Card is for displaying 17-32 channels.
- **Hardware Watchdog Connection:** Connect the supplied Hardware Watchdog Jump Wire to the Master Card.
- **Accessory Card Connections:**
 - ⊙ GV-NET/IO Card: Connect the card only to the Master Card.
 - ⊙ GV-Loop Through Card: Connect the card for each video capture card.
 - ⊙ GV-Multi Quad Card: Only connect one card to any of two video capture cards.

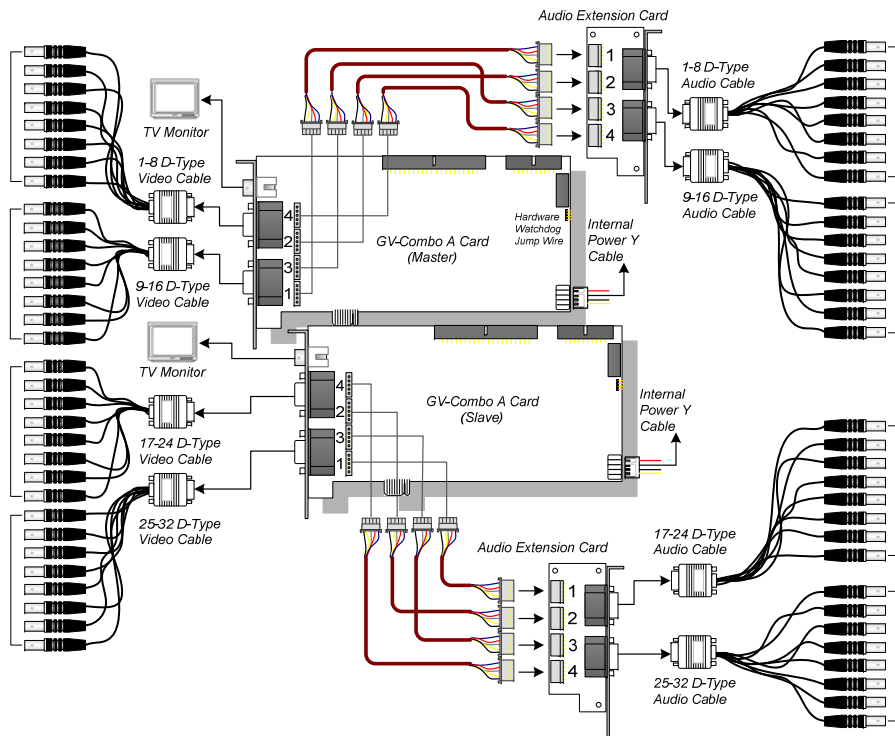


Figure 1-8

Specifications

		GV-1120A	GV-1240A	GV-1480A	
Interface Type		PCI-E			
Input Type		DB15 x 2 (Video), DB9 x 2 (Audio)			
Video Input		8, 12, 16 Cams	8, 16 Cams	16 Cams	
Audio Input		8, 12, 16 Channels	8, 16 Channels	16 Channels	
TV Output		RCA Connector x 1			
Recording Rate	CIF	NTSC	120 fps	240 fps	480 fps
		PAL	100 fps	200 fps	400 fps
	D1	NTSC	80 fps	120 fps	240 fps
		PAL	72 fps	100 fps	200 fps
Display Rate	CIF	NTSC	480 fps		
		PAL	400 fps		
	D1	NTSC	480 fps		
		PAL	400 fps		
Video Resolution		NTSC	720 x 480, 720 x 480 De-interlace, 640 x 480, 640 x 480 De-interlace, 360 x 240, 320 x 240		
		PAL	720 x 576, 720 x 576 De-interlace, 640 x 480, 640 x 480 De-interlace, 360 x 288, 320 x 240		
Compression Format		Geo MPEG4, Geo MPEG4 (ASP), Geo H264, Geo H264 V2			
GV-Multi Quad Card Support		Yes			
GV-Loop Through Card Support		Yes			
GV-NET/IO Card Support		Yes			
Dimensions		D-Type	179 x 99 (mm) / 7.04 x 3.89 (in)		
		DVI-Type			