



by Schneider Electric

INSTALLATION

WMVE-SR/WMVE-WT Rugged Environmental Wall Mounts



C2253M (1/11)

Important Safety Instructions

1. Read these instructions.
2. Keep these instructions.
3. Heed all warnings.
4. Follow all instructions.
5. Only use attachments/accessories specified by the manufacturer.
6. Installation should be done only by qualified personnel and conform to all local codes.
7. Use only installation methods and materials capable of supporting four times the maximum specified load.
8. Only use replacement parts recommended by Pelco.

Description

The WMVE-SR and WMVE-WT are environmental wall mounts that can be installed directly to a wall or any vertical surface. Power and video wiring can be easily routed through the back of the mounts or through the conduit access located on the bottom of the mount arms. The wall mounts can also be pole mounted using a PA101 pole mount adapter.

MODELS

WMVE-SR Light gray wall mount specifically designed for use with the IM-VEPM, IE-P, and Camclosure® 2 Series pendant mount adapters.

WMVE-WT White wall mount specifically designed for use with the ID-P pendant mount adapter.

PARTS LIST

The following installation tools and parts are supplied:

Qty	Description
1	WMVE-SR/WMVE-WT wall mount
1	Tube of anti-seize lubricant
1	Installation manual

USER SUPPLIED PARTS LIST

Qty	Description
1	Pendant mount adapter
1	Wrench, 5/64-inch, hex Allen
2 to 4	Fasteners, 1/4-inch, of appropriate type based on installation

Installation

STANDARD INSTALLATION

1. Using the wall mount as a template, mark the fastener positions on the mounting surface.
2. Prepare the mounting surface.
3. Route the system power and video wiring through the wall mount.
4. Use a minimum of two 1/4-inch fasteners of appropriate type (not supplied) to secure the wall mount to the mounting surface.

NOTE: (*Outdoor installations only*) Seal the fastener holes with an appropriate sealant (not supplied) to prevent water damage. Be sure to apply the sealant between the mount and the mounting surface.

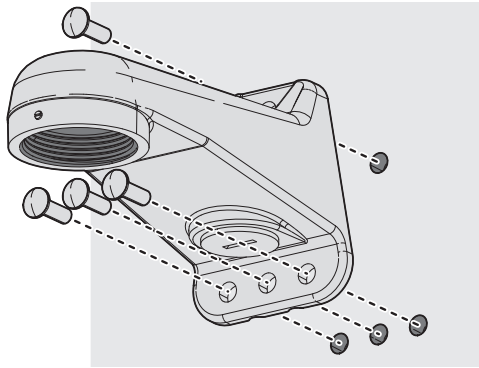


Figure 1. Installing the Wall Mount

5. Attach the pendant mount adapter (not supplied) to the wall mount:
 - a. Route the wiring through the pendant mount adapter.
 - b. Apply anti-seize lubricant (supplied) to the threads of the pendant mount adapter.
 - c. Screw the pendant mount adapter onto the mount arm.
 - d. Use a 5/64-inch hex Allen wrench (not supplied) to tighten the setscrew located on the front of the wall mount.

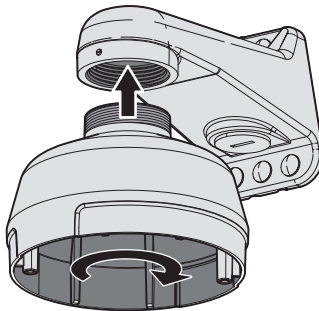


Figure 2. Installing the Pendant Mount Adapter

6. To complete the installation, refer to the manual supplied with the pendant mount adapter.

CONDUIT INSTALLATION

1. Using the wall mount as a template, mark the fastener positions on the mounting surface.
2. Prepare the mounting surface.
3. Remove the conduit cover from the bottom of the mount arm.
4. Route the wiring/cabling through the mount arm.
5. Thread a 3/4-inch conduit fitting (not supplied) into the conduit hole located at the bottom of the mount arm.
6. Use a minimum of two 1/4-inch fasteners of appropriate type (not supplied) to secure the wall mount to the mounting surface (refer to Figure 1 on page 4).

NOTE: (*Outdoor installations only*) Seal the fastener holes with an appropriate sealant (not supplied) to prevent water damage. Be sure to apply the sealant between the mount and the mounting surface.

7. Attach the pendant mount adapter (not supplied) to the wall mount:
 - a. Route the wiring through the pendant mount adapter.
 - b. Apply anti-seize lubricant (supplied) to the threads of the pendant mount adapter.
 - c. Screw the pendant mount adapter onto the mount arm (refer to Figure 2 on page 4).
 - d. Use a 5/64-inch hex Allen wrench (not supplied) to tighten the setscrew located on the front of the wall mount.
8. To complete the installation, refer to the manual supplied with the pendant mount adapter.

Specifications

MODELS

WMVE-SR	Environmental wall mount; for use with IM-VEPM, IE-P, and Camclosure® 2 Series pendant mount adapters.
WMVE-WT	Environmental wall mount; for use with ID-P pendant mount adapter.

MECHANICAL

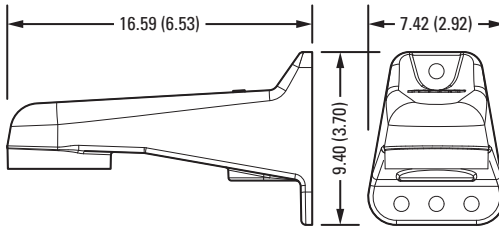
Mounting Method	Secure with 1/4-inch fasteners of appropriate type (not supplied); up to 4 fasteners can be used.
Cable Entry	Through the back of the mount and one 3/4-inch conduit access on the bottom of the mount.

GENERAL

Construction	Aluminum
Finish	
WMVE-SR	Light gray polyester powder coat
WMVE-WT	White polyester powder coat
Unit Weight	0.43 kg (0.95 lb)



NOTE: VALUES IN PARENTHESES ARE INCHES; ALL OTHERS ARE CENTIMETERS.



REVISION HISTORY

Manual #	Date	Comments
C2253M	1/11	Original version.

Pelco, the Pelco logo, and other trademarks associated with Pelco products referred to in this publication are trademarks of Pelco, Inc. or its affiliates. All other product names and services are the property of their respective companies. Product specifications and availability are subject to change without notice.

©Copyright 2011, Pelco, Inc. All rights reserved.

PRODUCT WARRANTY AND RETURN INFORMATION

WARRANTY

Pelco will repair or replace, without charge, any merchandise proved defective in material or workmanship **for a period of one year** after the date of shipment.

Exceptions to this warranty are as noted below:

- Five years:
 - Fiber optic products
 - Unshielded Twisted Pair (UTP) transmission products
 - CC3701H-2, CC3701H-2X, CC3751H-2, CC3651H-2X, MC3651H-2, and MC3651H-2X camera models
- Three years:
 - Pelco-designed fixed network cameras and network dome cameras with Sarix™ technology.
 - Pelco-branded fixed camera models (CCC1390H Series, C10DN Series, C10CH Series, and IP3701H Series)
 - EH1500 Series enclosures
 - Spectra® IV products (including Spectra IV IP)
 - Camclosure® Series (IS, ICS, IP) integrated camera systems
 - DX Series digital video recorders (except DX9000 Series which is covered for a period of one year), DVR5100 Series digital video recorders, Digital Sentry® Series hardware products, DVX Series digital video recorders, and NVR300 Series network video recorders
 - Endura® Series distributed network-based video products
 - Genex® Series products (multiplexers, server, and keyboard)
 - PMCL200/300/400 Series LCD monitors
 - PMCL5xx Series FHD monitors
- Two years:
 - Standard varifocal, fixed focal, and motorized zoom lenses.
 - DF5/DF8 Series fixed dome products
 - Legacy® Series integrated positioning systems
 - Spectra III™, Spectra Mini, Spectra Mini IP, Esprit®, ExSite®, and PS20 scanners, including when used in continuous motion applications.
 - Esprit Ti and TI2500 Series thermal imaging products
 - Esprit and VVW5700 Series window wiper (excluding wiper blades).
 - CM6700/CM6800/CM9700 Series matrix
 - Digital Light Processing (DLP®) displays (except lamp and color wheel). The lamp and color wheel will be covered for a period of 90 days. The air filter is not covered under warranty.
 - Intelli-M® eIDC controllers
- One year:
 - Video cassette recorders (VCRs), except video heads. Video heads will be covered for a period of six months.
- Six months:
 - All pan and tilts, scanners, or preset lenses used in continuous motion applications (preset scan, tour, and auto scan modes).

Pelco will warrant all replacement parts and repairs for 90 days from the date of Pelco shipment. All goods requiring warranty repair shall be sent freight prepaid to a Pelco designated location. Repairs made necessary by reason of misuse, alteration, normal wear, or accident are not covered under this warranty.

Pelco assumes no risk and shall be subject to no liability for damages or loss resulting from the specific use or application made of the Products. Pelco's liability for any claim, whether based on breach of contract, negligence, infringement of any rights of any party or product liability, relating to the Products shall not exceed the price paid by the Dealer to Pelco for such Products. In no event will Pelco be liable for any special, incidental, or consequential damages (including loss of use, loss of profit, and claims of third parties) however caused, whether by the negligence of Pelco or otherwise.

The above warranty provides the Dealer with specific legal rights. The Dealer may also have additional rights, which are subject to variation from state to state.

If a warranty repair is required, the Dealer must contact Pelco at (800) 289-9100 or (559) 292-1981 to obtain a Repair Authorization number (RA), and provide the following information:

1. Model and serial number
2. Date of shipment, P.O. number, sales order number, or Pelco invoice number
3. Details of the defect or problem

If there is a dispute regarding the warranty of a product that does not fall under the warranty conditions stated above, please include a written explanation with the product when returned.

Method of return shipment shall be the same or equal to the method by which the item was received by Pelco.

RETURNS

To expedite parts returned for repair or credit, please call Pelco at (800) 289-9100 or (559) 292-1981 to obtain an authorization number (CA number if returned for credit, and RA number if returned for repair) and designated return location.

All merchandise returned for credit may be subject to a 20 percent restocking and refurbishing charge.

Goods returned for repair or credit should be clearly identified with the assigned CA or RA number and freight should be prepaid.

2-10-10

 The materials used in the manufacture of this document and its components are compliant to the requirements of Directive 2002/95/EC.

PELCO

by **Schneider** Electric

www.pelco.com

Pelco by Schneider Electric 3500 Pelco Way Clovis, California 93612-5699 United States
USA & Canada Tel (800) 289-9100 Fax (800) 289-9150
International Tel +1 (559) 292-1981 Fax +1 (559) 348-1120