

SAMSUNG



Network Controller **SPC-2000** User Guide

Before installing and operating this product,
please read this manual thoroughly.

ENGLISH

License Agreement

All copying, reprinting, and translating to other languages of part of or all of its contents without the permission of Samsung Techwin Co., Ltd. are expressly prohibited.
Samsung Techwin Co., Ltd. reserves all copyright of this user's manual.

Limited Liability

- This product is support equipment for surveillance system. Therefore, we can't compensate for material loss and/or personal injuries by robbery, fire, natural disaster or other such events.
- The specification for this product may change without prior notice for product improvement.

Warranty

Samsung Techwin is not responsible for any issues related to buying and selling this product, nor promoting specific dealers or agencies.

The product warranty does not cover the following cases:

- Product damage or malfunction caused by improper handling and/or use of the product by user.
- Damage caused by disassembly and/or alteration by the user.
- Damage caused by connecting a power supply with incorrect specifications.
- Product damage or malfunctions caused by natural disasters (fire, flood, tsunami, etc.).
- Product damage caused by using expendable parts from an unauthorized third party.

Warranty is provided only upon purchasing the product. During the warranty period, a service fee will be charged for repair and/or inspection for the product for any problems that are not covered by the warranty. After the warranty expires, a service fee will be charged for repair and/or inspection for the product for all problems.

Standards-Compliance Notice



Note: This equipment has been tested and found to comply with the limits for a Class B digital device, pursuant to part 15 of the FCC Rules. These limits are designed to provide reasonable protection against harmful interference in a residential installation. This equipment generates, uses and can radiate radio frequency energy and, if not installed and used in accordance with the instructions, may cause harmful interference to radio communications. However, there is no guarantee that interference will not occur in a particular installation. If this equipment does cause harmful interference to radio or television reception, which can be determined by turning the equipment off and on, the user is encouraged to try to correct the interference by one or more of the following measures: -

- Reorient or relocate the receiving antenna.
- Increase the separation between the equipment and receiver.
- Connect the equipment into an outlet on a circuit different from that to which the receiver is connected.
- Consult the dealer or an experienced radio/TV technician for help.

CAUTION : Changes or modifications not expressly approved by the party responsible for compliance could void the user's authority to operated the equipment.



Samsung Techwin cares for the environment at all product manufacturing stages to preserve the environment, and is taking a number of steps to provide customers with more environment-friendly products. The Eco mark represents Samsung Techwin's will to create environment-friendly products, and indicates that the product satisfies the EU RoHS Directive.

Cautions Before Use

Warning

- **Please contact your vendor for product installation.**
 - Improper connection and/or installation of the product may cause electric shock, fire, severe injuries, and damage to property.
- **Please install the product on stable, level ground.**
 - Always test and verify the durability and stability of the installation location.
 - Dropping the product from heights may cause product malfunction and/or cause injuries.
- **Do not disassemble or attempt to repair without consulting a professional technician.**
 - Neglecting this warning may cause electric shock, fire, and/or product malfunction.
- **Do not operate this product in places that are exposed to inflammable substances.**
 - Avoid gas and other inflammable substances that may cause fire, explosion, and other serious accidents.
- **Do not touch the power plug with wet hands.**
 - It may cause electric shock and possibly death.
- **Do not soak the product with water.**
 - If soaked, turn off the product immediately.
 - If soaked, stop using the product and contact us as soon as possible.
- **Stop using the product if you detect unusual problems.**
 - If you detect smoke or a burning odor from the product, turn off the product immediately.
 - Using the product while having these problems may cause severe hardware and software damage.
- **Use only the specified voltage and current.**
 - Connecting the product to improper voltage and current may have risks of fire, electric shock, and/or hardware and software damage.
- **Handle the power cord with care.**
 - Do not damage or modify the power cord.
 - Do not pull the cord, expose it to excessive heat, or place heavy objects on it.
 - Neglecting this warning may cause fire, electric shock, and/or damage to the product.

Cautions Before Use

Caution

- **This product is designed to be used indoors.**
 - Do not expose it to outdoor weather conditions, water, or high humidity.
 - Water leakage may cause corrosion and severe damage to the product.
- **Do not operate the product in places that are exposed to thick dust, smoke, or high humidity.**
 - It may cause fire, electric shock, and/or severe damage to the product.
- **Do not operate this product at extreme temperatures.**
 - High and low temperatures may cause damage to the product.
 - The product's operating temperature is between 0° and 40°.
- **Do not expose the product to direct sunlight.**
 - It may cause discoloration and damage to the product.
- **Do not subject the product to shock.**
 - It may cause damage to the product.

Maintenance Instructions

- **To clean the controller, turn off the power and use a soft cloth to wipe off dirt.**
 - Do not use alcohol, benzene, or other chemicals for cleaning.

Table of Contents

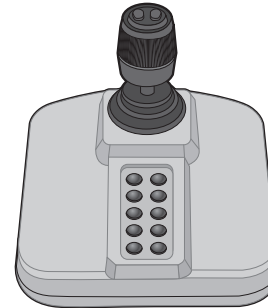
● License Agreement	2
● Limited Liability	2
● Product Warranty	2
● Standards-Compliance Notice	3
● Cautions Before Use	4
● Table of Contents	6
● Product Features	7
● Part Names & Functions	7
● Pan / Tilt / Zoom Using Joystick	8
● System Requirements	9
● Installing the Controller	9
● Calibrating the Controller	10
● Troubleshooting	11
● Product Specifications	12
● Product Design	13
● Product Warranty	14

Product Features

The SPC-2000 consists of a 3-axis handle for PTZ operation and 12 buttons for custom settings. The SPC-2000 helps you to control monitoring cameras more easily and accurately. It supports USB connection for convenient use in a computer environment. Connect it to the USB port on a computer that supports DirectX; you can use it immediately, without extra software installation.

Part Names & Functions

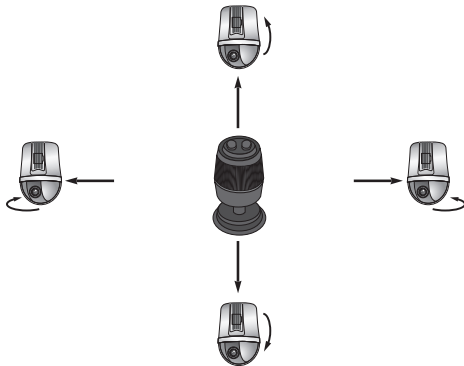
The SPC-2000 controller consists of a joystick and main unit. Pull the joystick left, right, up, or down to control the Pan and Tilt operations. To zoom in or out on the screen, rotate it. 2 buttons are on the joystick, and the remaining 10 are on the main unit. You can configure the buttons to perform functions in the pre-set settings.



Pic 1. SPC-2000

Pan / Tilt / Zoom Using Joystick

- To pan your camera, pull the joystick left and right. To tilt, pull it up and down. The farther you move the joystick from the center, the faster the camera moves. To zoom in and out on the monitoring screen, rotate the joystick clockwise or counterclockwise. The more you rotate the joystick, the faster the zoom speed is.



Pic 2. Pan & Tilt Control



Pic 3. Zoom Control

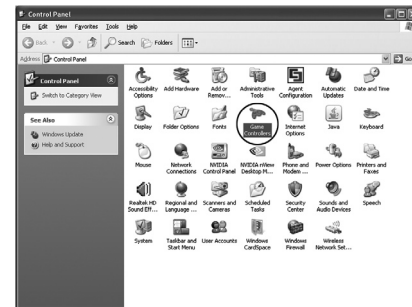
System Requirements

- Windows 2000, Windows XP, Windows Vista, Windows 7
- Microsoft DirectX 7.0a or higher
- USB conversion software that detects the controller via DirectX
- 1 USB port

Installing the Controller

1. Turn on your computer, and then connect the controller to the USB port.
2. A window appears informing you that a new device has been detected.
3. Your computer detects the controller automatically.
(If necessary, install the controller following the instructions in the installation window.)
4. Once the controller is detected, its name displays under the Game Controllers list in Control Panel.

[Start] → [Settings] → [Control Panel] → [Game Controllers]



Pic 4. Control Panel

Installing the Controller



Pic 5. Game Controllers Window

Calibrating the Controller

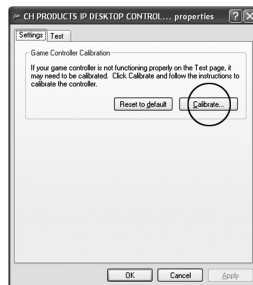


Pic 7. Device Calibration Wizard

Calibrating the Controller

For best results, all the axes of the controller must be calibrated.

1. Go to [Start] → [Settings] → [Control Panel] → [Game Controllers] → [Properties] → [Setup].
2. Press the [Calibrate] button to run the "Device Calibration Wizard."
3. Calibrate the axes following the instructions on the screen.



Pic 6. Controller Properties Window

Troubleshooting

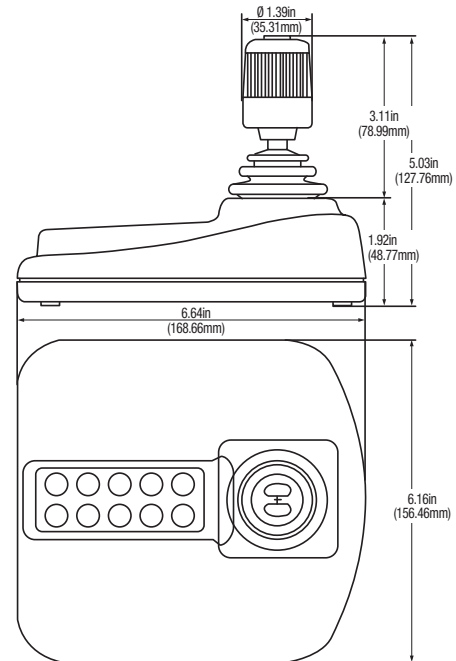
If you experience any problem using the product, please check the following.

1. If the controller does not operate properly:
 - Go to [Start] → [Control Panel] → [Game Controllers], and then click the [Troubleshooting] button.
2. If your computer does not detect the controller:
 - Check if the operating system supports DirectX.
 - Check if the computer's USB port is working properly.
3. If the controller buttons are hard to press:
 - Check if there is anything blocking the buttons. Clean and remove any blockage.
4. If the joystick is hard to move:
 - Check if there is anything blocking the bottom of the joystick. Clean and remove the blockage.
5. If the joystick moves uncontrollably:
 - Run the "Device Calibration Wizard".

Product Specifications

Model Name		SPC-2000
Joystick		
Axis		Hall-effect 3 Axes
Button		12ea
Performance		
Range of Movement	X/Y-Axis	$\pm 18^\circ$
	Z Axis	$\pm 40^\circ$
Center		Single Spring, All Directions
Minimum Power		0.109 [N·m]
Operating Power		0.151 [N·m]
Maximum Power		0.169 [N·m]
Materials		
Housing		High Solidity ABS
Handle		High Solidity Glass-Reinforced Nylon
Cover		Thermoplastic Elastomer
Knob		Stainless Steel
Interface		
Port		4-pin USB Type A
Software		
Drivers		Standard DirectX Drivers (DirectInput)
Electric Features		
Operating Voltage		(DC 5 [V]), Vdd = 5 [V] (± 0.5 [V]) via USB
Operating Current		32 [mA]
Operating Environment		
Temperature		-25°C to +70°C
Miscellaneous		
Power Cord Length		2 [m]
Size	Size	156 [mm]
	Length	169 [mm]
	Width:	126 [mm]
Weight		440 [g]
Color		Black

Product Design



DECLARATION OF CONFORMITY

Application of Council Directive(s)	2004 / 108 / EC
Manufacturer's Name	SAMSUNGTECHWIN CO., LTD.
Manufacturer's Address	SAMSUNGTECHWIN CO., LTD. 42, SUNGJU-DONG CHANGWON-CITY, KYUNGNAM, KOREA, 641-716
European Representative Name	
European Representative Address	
Equipment Type/Environment	Network Controller
Model Name	SPC-2000
Beginning Serial NO.	C5A46V3Z200001X
Year of Manufacture	2010.04.01
Conformance to	EN 55022 : 2006 EN 50130-4 : 2003

We, the undersigned, hereby declare that the equipment specified above conforms to the above Directive(s).

Manufacturer	SAMSUNG TECHWIN CO., LTD	Legal Representative in Europe
Signature		Signature
Full Name	BONJENG GU	Full Name
Position	QUALITY CONTROL MANAGER	Position
Place	CHANGWON, KOREA	Place
Date	2010.02.01	Date

MEMO

SAMSUNG TECHWIN

The Samsung logo, consisting of the word "SAMSUNG" in a bold, sans-serif font, enclosed within a black, horizontally-oriented oval shape.

SALES NETWORK

• **SAMSUNG TECHWIN CO., LTD.**

Samsungtechwin R&D Center, 701, Sampyeong-dong, Bundang-gu, Seongnam-si, Gyeonggi-do, Korea, 463-400
TEL: +82-70-7147-8740-60 FAX: +82-31-8018-3745

• **SAMSUNG TECHWIN AMERICA Inc.**

1480 Charles Willard St, Carson, CA 90746, UNITED STATES
Tol Free : +1-877-213-1222 FAX : +1-310-632-2195
www.samsungcctvusa.com

• **SAMSUNG TECHWIN EUROPE LTD.**

Samsung House, 1000 Hillswood Drive, Hillswood Business
Park Chertsey, Surrey, UNITED KINGDOM KT16 0PS
TEL : +44-1932-45-5300 FAX : +44-1932-45-5325

www.samsungtechwin.com
www.samsungsecurity.com