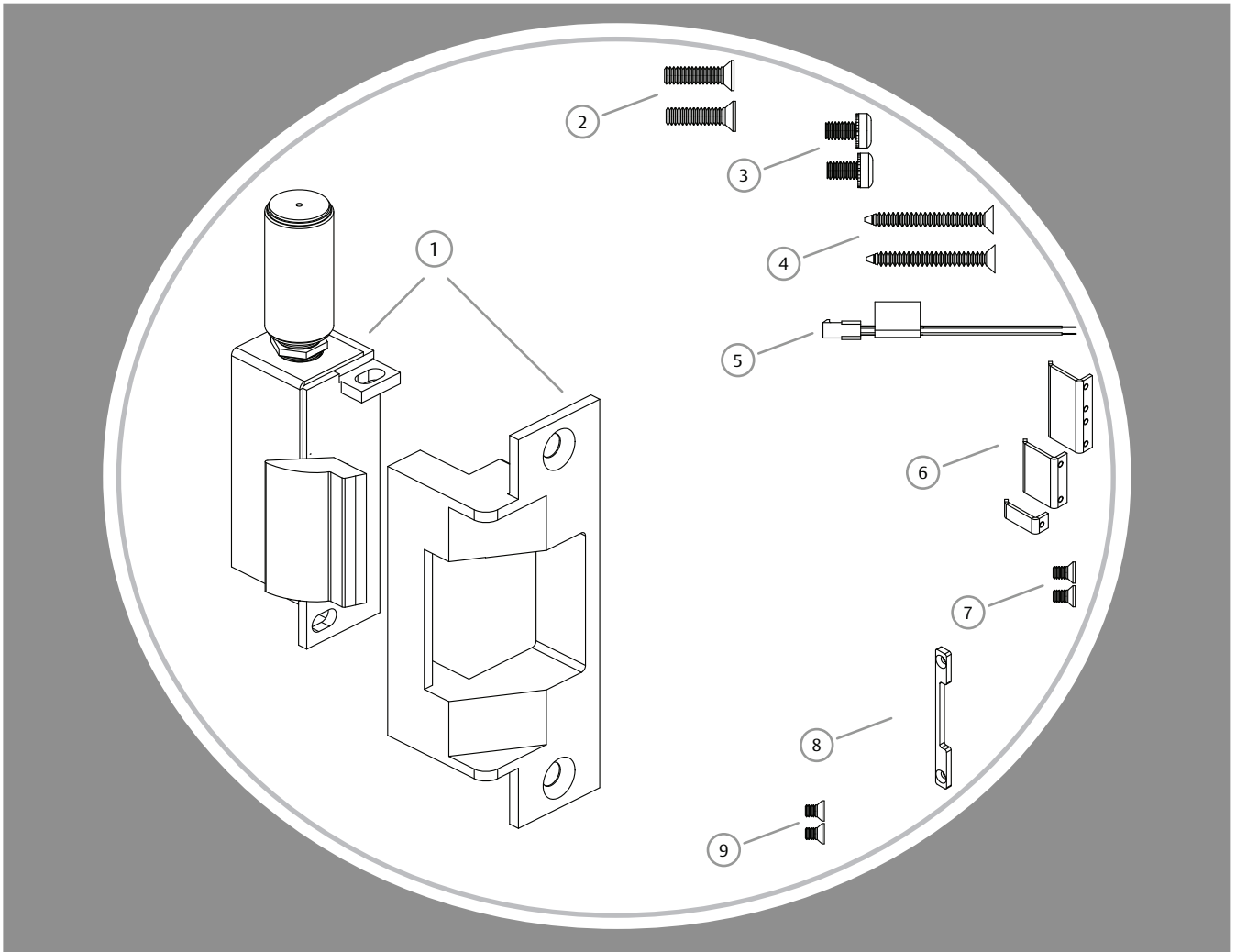


Product Components

- ① Electric Strike Body & Faceplate
- ② #12-24 Faceplate Mounting Screws
- ③ #8-32 Body Mounting Screws
- ④ #12 x 2 1/2" Wood Faceplate Mounting Screws
- ⑤ Plug In Connector
- ⑥ Deadlatch Tabs (742-75 only)
- ⑦ #6-32 x 5/16" Deadlatch Tabs Screws (742-75 only)
- ⑧ Keeper Shim (742-75 only)
- ⑨ #6-32 x 3/16" Keeper Shim Screws (742-75 only)



Electrical Specifications

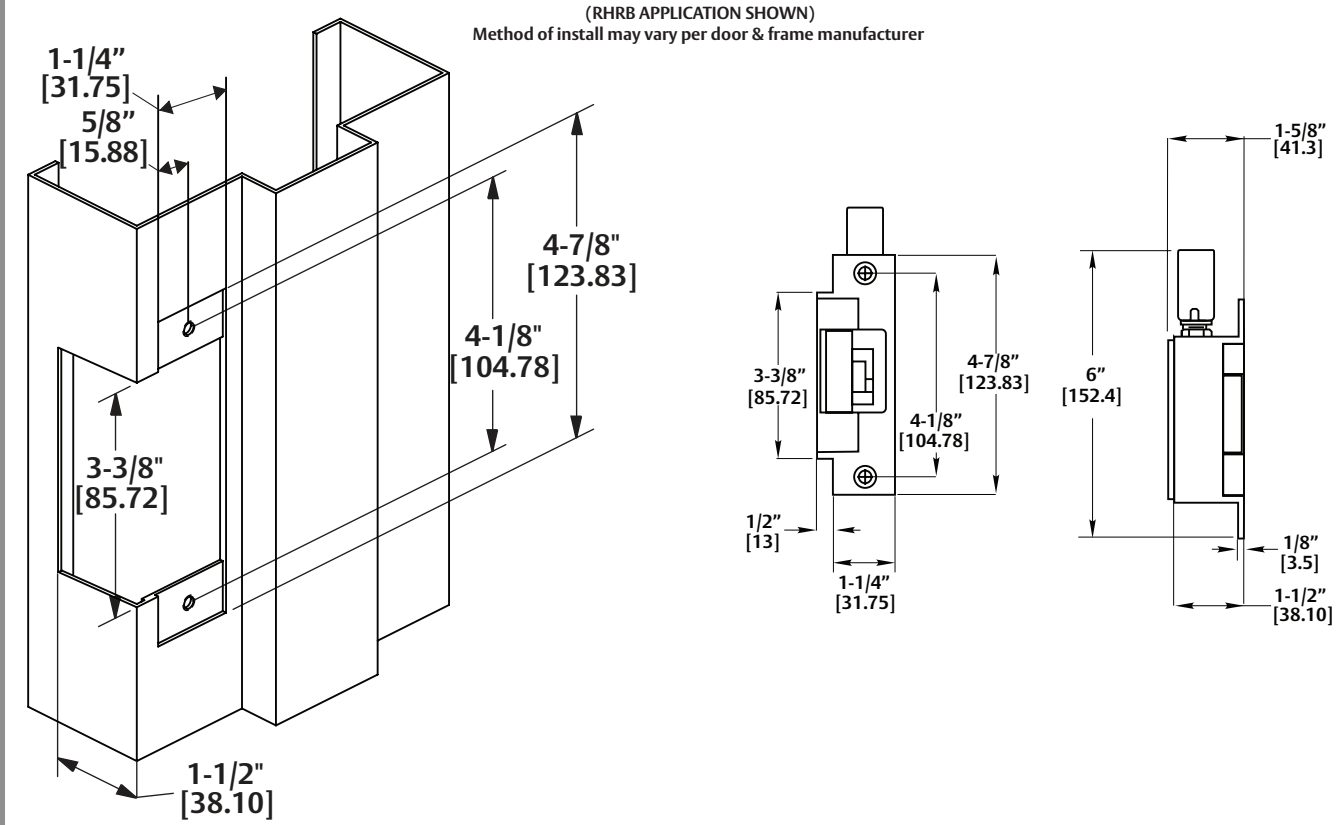
ELECTRICAL RATINGS FOR SOLENOID		
CONTINUOUS DUTY	12VDC	24VDC
Resistance in Ohms	41	160
Amps	.29	.15
Solenoids are rated at +/- 10% indicated value.		

MINIMUM WIRE GAUGE REQUIREMENTS		
SOLENOID VOLTAGE	12VDC	24VDC
200 feet or less	18 gauge	18 gauge
200 - 300 feet	16 gauge	18 gauge
300 - 400 feet	14 gauge	16 gauge

712 Template & Dimensions

(RHRB APPLICATION SHOWN)

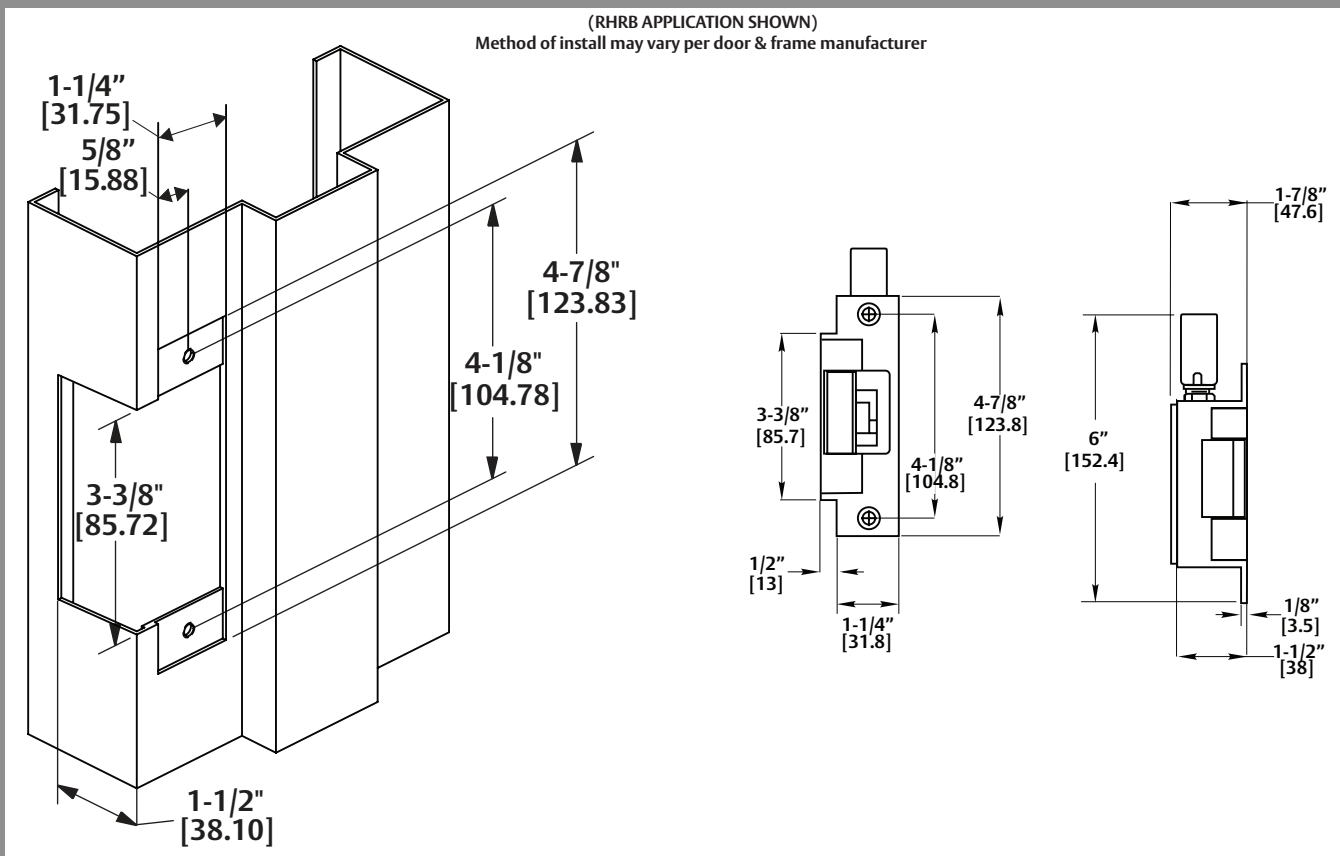
Method of install may vary per door & frame manufacturer



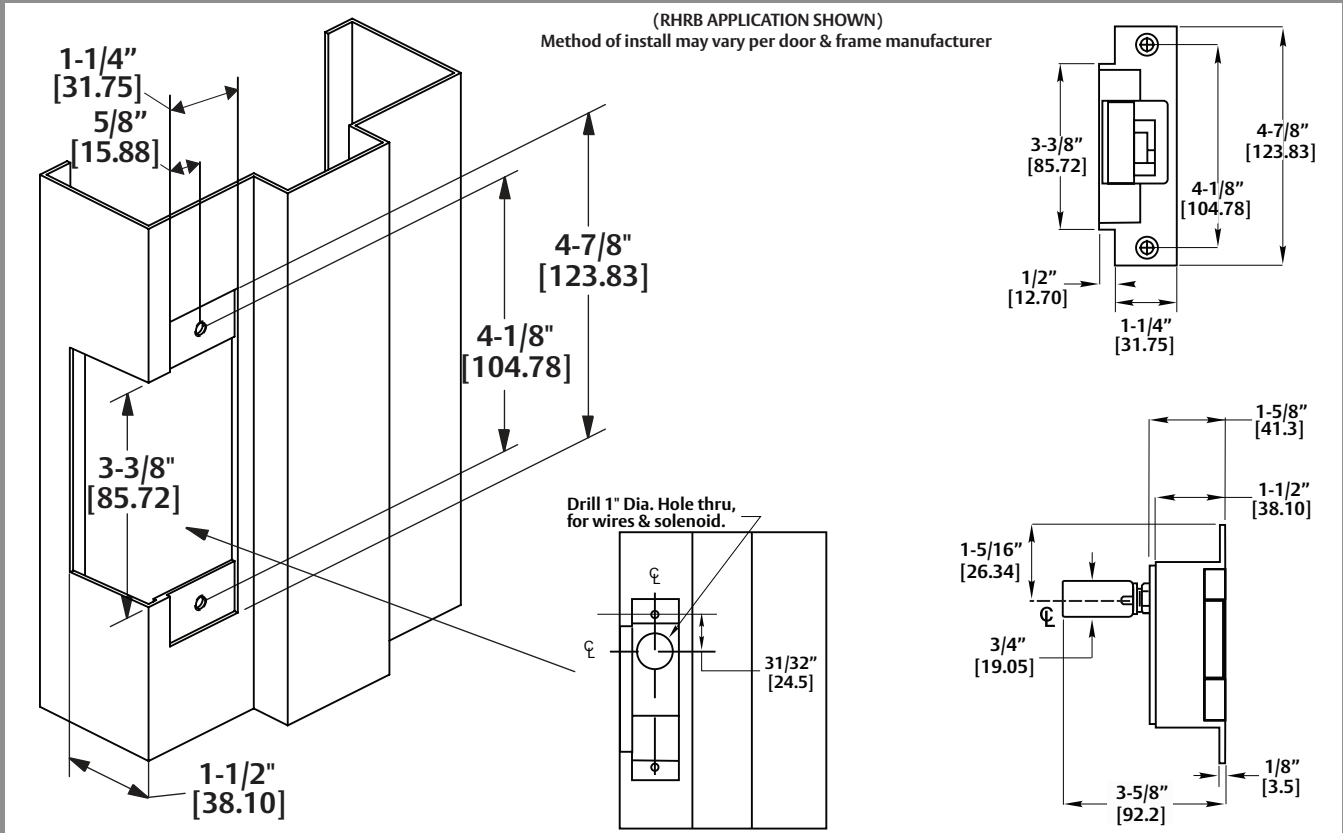
712-75 Template & Dimensions

(RHRB APPLICATION SHOWN)

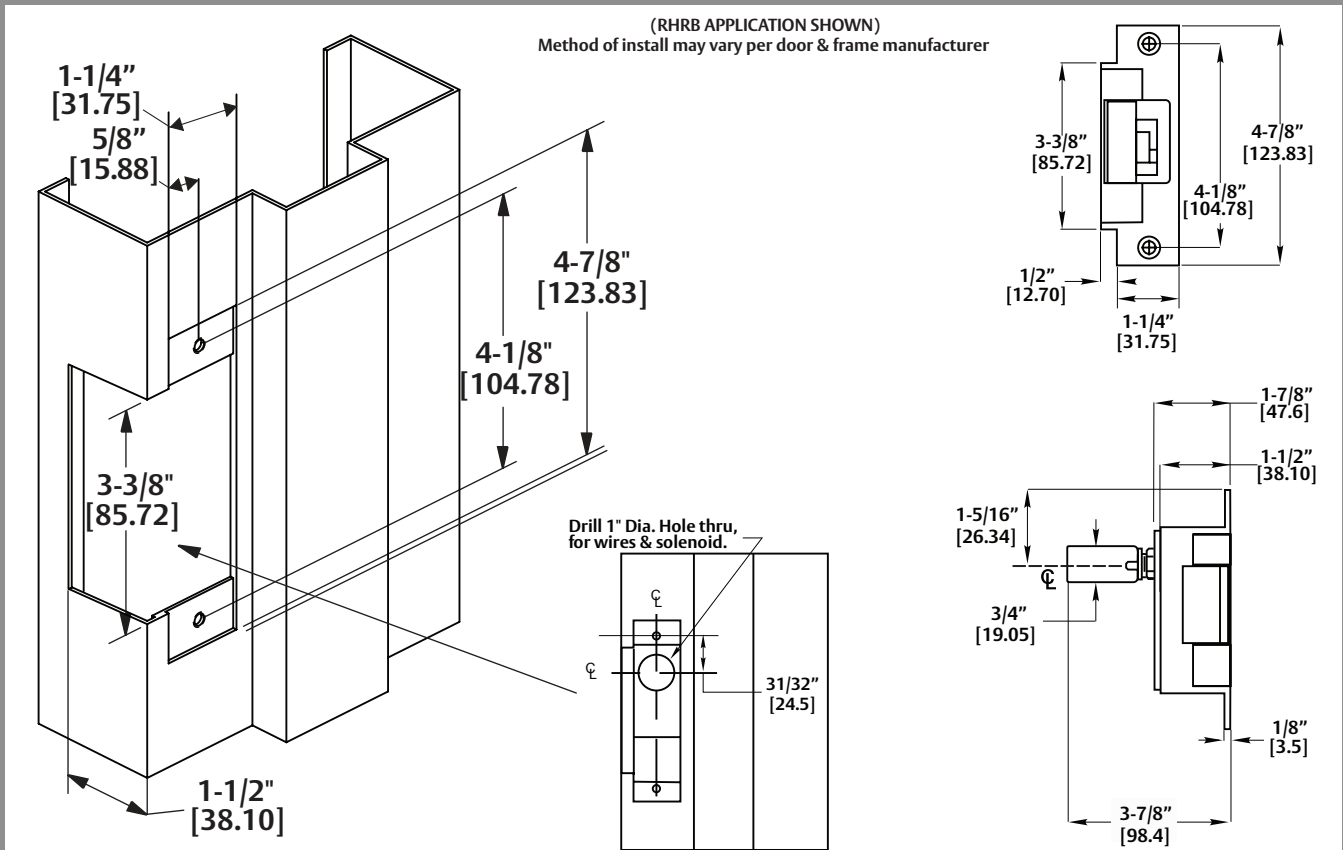
Method of install may vary per door & frame manufacturer



732 Template & Dimensions



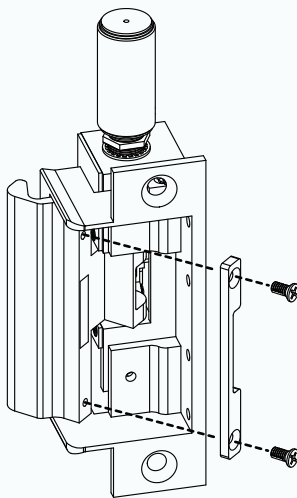
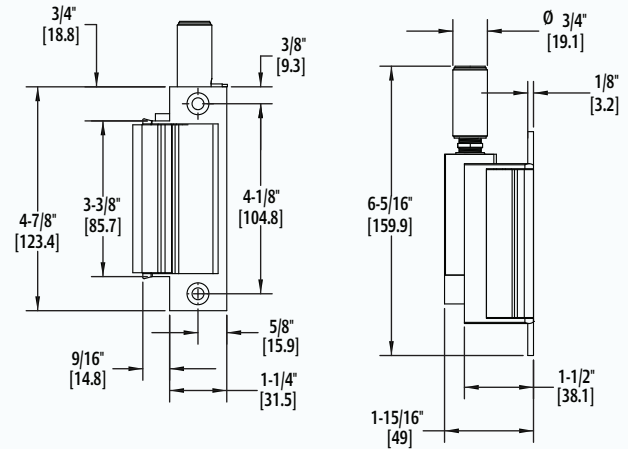
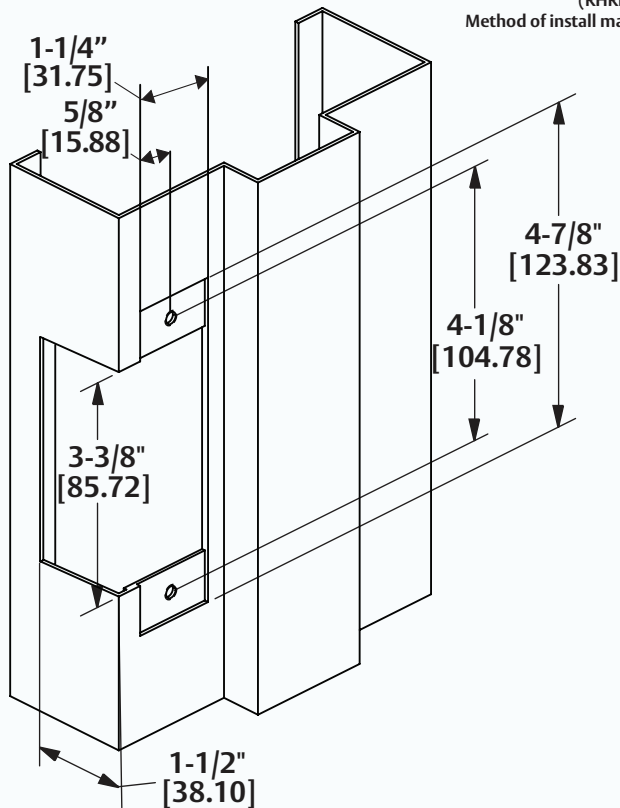
732-75 Template & Dimensions



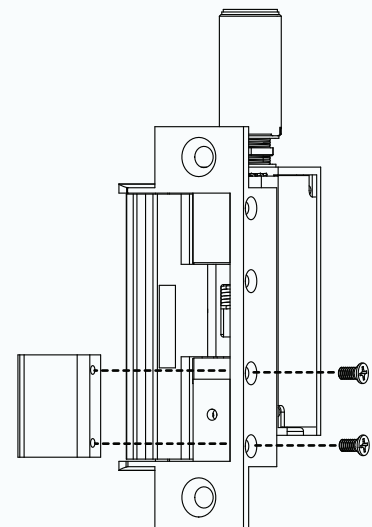
742-75 Dimensions and Template

(RHRB APPLICATION SHOWN)

Method of install may vary per door & frame manufacturer



If additional horizontal adjustment is needed, install the keeper shim using the #6-32 x 3/16" keeper shims screws as illustrated.



Several deadlatch tabs are included for use with the 742-75. Choose, and position the deadlatch tab so that the deadlatch is depressed when the door is closed, while staying clear of the latchbolt.

Install the deadlatch tab using the #6-32 x 5/16" deadlatch tab screws as illustrated.