



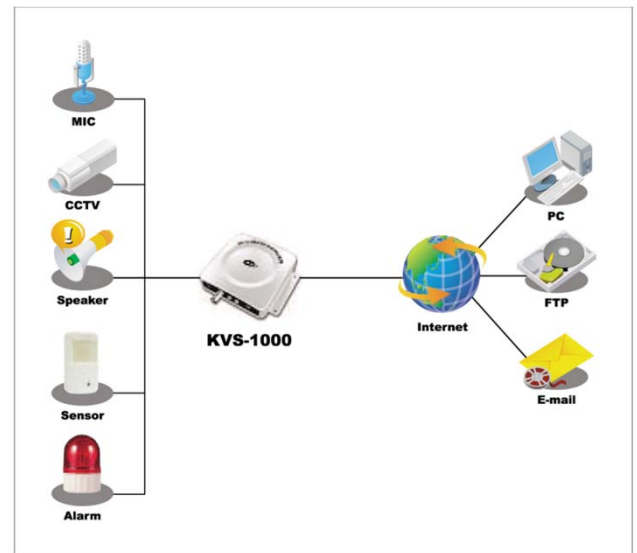
1-CH Video Encoder

- Dual Video Codec(MPEG4, M-JPEG) at 30fps in D1
- SD-SDHC support for recoding video
- Bi-directional Audio
- PoE(Class3), DC12V
- 1 Sensor in / 1. Alarm Out
- File Upload, Email notification
- Built in Web server for Single and Quad Channel Viewer
- Multiple Account with different restriction
- Open API for Software integration (Including SDK)

Easy Control and Installation



Terminal Block : Sensor input x 1
 Alarm Output x 1
 RS-485 (Half Duplex port for PTZ Camera)
 DC12V output for Analog Camera (Max. 5W)
 PoE: Power over Ethernet DC12V

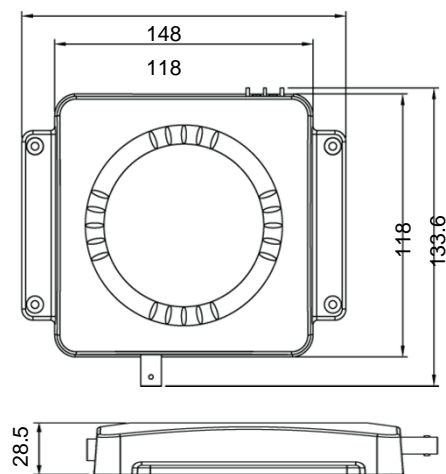


Support SD/SDHC



General Feature Diagram

Web Viewer



* Specifications & Features are subject to change without prior notice.

Technical Specification

| Model | KVS-1000 |
|--------------------------------|---|
| Video Codec | Motion JPEG / MPEG-4 |
| Resolution | Max. 720 x 480 @ 30fps (NTSC), 720 x 576@25Fps (PAL) Min. 320 x 240 @ 30fps(NTSC), 320 x 288 @ 25fps (PAL) |
| Video Streaming | Simultaneous Motion JPOWF and MPEG-4 Controllable frame rate and bandwidth Constant and variables bit rate (MPG-4) |
| Image Setting | Compression Levels : 100 (Motion JPEG) Image rotation : 0, 180 degrees Screen Magnification : 0.5x , 1x, 1.5x, 2x Overlay capabilities: time, date ,text, privacy mask |
| Audio Codec | G711 , G726 |
| Audio Streaming | Two-way (Full duplex) |
| Audio input /Output | External Microphone or Line-in input (selectable) / Line level output |
| Network Security | Multi-User Access Level with Password protection / IP address filtering |
| Network Supported Protocols | IPv4, HTTP, HTTPS, TCP, RTSP, RTP, UDP, IGMP, RTCP, SMTP, FTP, ICMP, DHCP, ARP, DNS, DDNS |
| Intelligent Video | Motion detection |
| Alarm Triggers | Intelligent Video, External inputs, manual triggers |
| Alarm Events | File upload via FTP, email / Notification via e-mail / External output activation |
| Web 1ch | Video Format change / Stream (play/stop) / Speaker sound (mute) / snapshot / instant recording (max 5min) / Manual trigger / output control / screen magnification / status indicator (video, audio, record, alarm, motion) |
| Web 4ch | Video Format change / Stream (play/stop) / Audio sound (mute) / Audio volume control / snapshot / instant recording / Manual trigger / output control / channel selector / status indicator (video, audio, record, alarm, motion) |
| Supported Memory Card | SD Card / SDHC Card |
| Recording function Memory Card | Event Recording / File search / File Download |
| Processors and Memory | CPU: ARM 926EJ-S RAM: 128 MB Flash: 32 MB Real-time clock |
| Interfaces | Analog Composite DNC input. NTSC/PAL Auto sensing RJ-45 for Ethernet 10baseT/100base TX with PoE 3.5Ø mono jack for MIC or Line input 3.5Ø mono jack for Line output |
| Terminal Block | Power : Power feed to the camera or alternative power supply (DC 12V Max 5W) Digital input x 1 Digital output x 1 RS-485 half duplex port |
| Power | DC 12V 1A Power over Ethernet Class 2/3 (IEEE 802.3af) |

* Specifications & Features are subject to change without prior notice.