



5600 SERIES

“Tru-Dual” Transducer Glassbreak Sensor

Model numbers: 5600-W, 5605-W, 5620-W, 5625-W

- **Effective in harsh environments such as kitchens and laundry rooms – even behind drapes and blinds**
- **Ideal for detection on sliding glass doors, picture windows and windows that open**
- **Protects up to 10' (3 m) of glass**
- **Double detection – glassbreak and forced opening**
- **Excellent false alarm immunity**
- **Ideal for occupied areas**

Sentrol's 5600 Series ShatterPoint™ “Tru-Dual” Transducer Sensor provides superior false alarm immunity and perimeter protection for a single point of entry such as sliding glass doors, side-light windows, kitchen windows, or large picture windows up to 10' (3 m) of range. The sensor mounts to any frame behind drapes and blinds, so there is no worry about shadowing the sensor. The 5620 models, with built-in reed switch, offer a perfect and economical solution for detection of all forced entries.

The sensor's “Tru-Dual” transducer design, effectively eliminates room noise false alarms, making this sensor ideal for occupied areas. The pattern-recognizing algorithm enables the sensor to look for the correct acoustic glass breaking signature from the microphone and verify the attack with advanced piezo transducer technology.

No sensitivity adjustment and an automatic test mode make installation quick and easy. Built-in 90° mounting allows the 5600 to mount easily to any frame, and easily accessible terminals help speed wire connections.

Sentrol 5600 Series ShatterPoint™

Specifications:

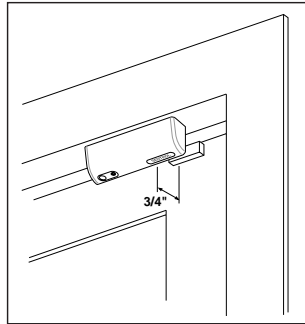
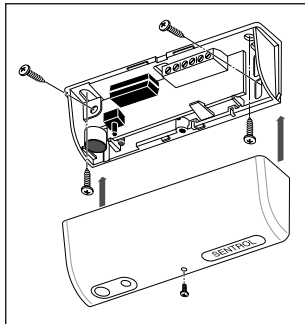
Electrical

Operational voltage 9 to 16V DC
 Current draw 12mA typical, 20mA max.
 Relay output Normally closed, open 4 sec. on alarm
 Maximum loop rating 16V DC, 50mA

Environmental

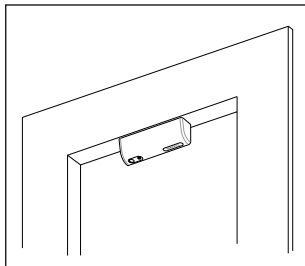
Operating temperature 0° to 120°F (-18° to +50°C)
 Humidity 10% to 90% noncondensing
 Lightning suppression 400 watts for 1 msec pulse
 RFI immunity 20 V/meter, 1 to 1000 MHz

Mounting

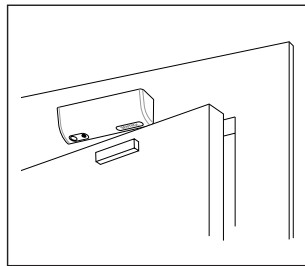


Models 5620 and 5625

Mounting Location



Inside Mount



Facing Mount

Features

Glass types

Plate 3/32" (2.4 mm) to 3/8" (9 mm)
 Tempered 1/8" (3.2 mm) to 1/4" (6.4 mm)
 Laminated 1/8" (3.2 mm) to 1/4" (6.4 mm)
 Wired 1/4" (6.4 mm)

Range

Single-pane window up to 10' (3 m)
 Multi-pane window up to 8' (2.4 m)
 Sliding-glass door up to 8' (2.4 m)

Mounting location Frame

Minimum Glass Size 12" (30 cm) x 12" (30 cm)

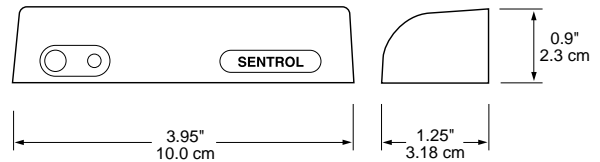
Magnet Gap Distance 3/4" (1.9 cm) maximum

Housing material Flame retardant ABS

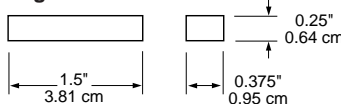
Color White

Dimensions

Sensor



Magnet



ORDERING INFORMATION

Description	Model No.	Color	Listing
ShatterPoint™	5600-W	White	
ShatterPoint™ with Form C relay and tamper switch	5605-W	White	
ShatterPoint™ with magnetic contact	5620-W	White	
ShatterPoint™ with Form C relay, tamper switch, and magnetic contact	5625-W	White	
Hand-held Tester	5709C-W	White	
Replacement magnet	1927-W	White	



SENTROL

CORPORATE HEADQUARTERS

12345 SW Leveton Dr., Tualatin, OR 97062

Tel.: 503.692.4052 Fax: 503.691.7566

<http://www.sentrol.com>

U.S. & Canada: 800.547.2556

Technical Service: 800.648.7424

FaxBack: 800.483.2495

Sentrol reserves the right to change specifications without notice.

©1998 Sentrol

G-2401-FLG20K-0297
 Printed on recycled paper