

MS1837 Series MS® Two-Point Deadlock



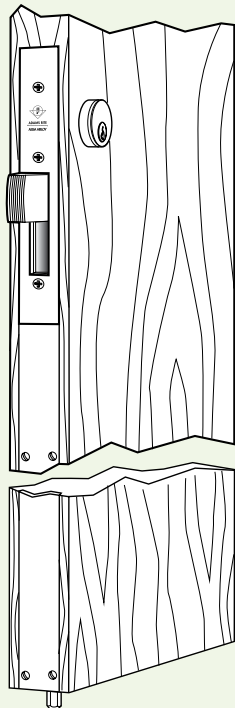
WOOD

GRADE 1
E8241

Maximum security for wood door pairs is provided with the MS1837 Two-Point Deadlock. A single turn drops a bolt into the threshold and pivots the MS bolt.

Function

Maximum security for wood door pairs by a single turn of a key is provided with the MS1837. Simultaneously dropping a stainless steel hexbolt into the threshold and pivoting the massive MS bolt into the opposite leaf, the MS1837 eliminates inconvenient and sometimes forgotten flushbolts in the inactive leaf.



Operation

360° turn of key or thumbturn throws counterbalanced bolt into opposite door and drops bolt into threshold. Key can be removed only when bolts are in a positively locked or unlocked position. Lock accepts any standard 1-5/32" diameter mortise cylinder from either or both sides. Cylinder must have MS® dimensioned cam.

Specifications

CYLINDER BACKSET

- 1-1/2" only.

CYLINDER HEIGHT

- 36" standard. Other heights available on special order.

CASE

- Steel with corrosion-resistant plate, measures 1" x 6" x 2-3/16".

PIVOTED BOLT

- 5/8" x 1-3/4" x 2-7/8" with 1-3/8" throw. Eight-ply laminated steel with alumina-ceramic core to deter hacksaw attack.

THRESHOLD BOLT

- Hexagonal 3/8", flat to flat. Stainless steel.

ARMORED FACEPLATE

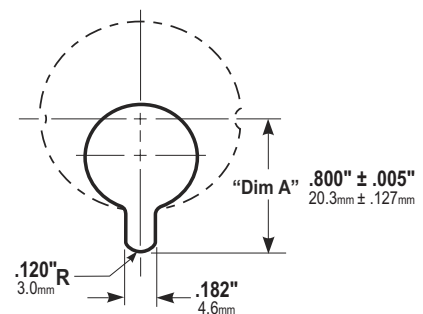
- Flat, two-piece plate extends to bottom of door. Standard finish is US28 (628) Clear Anodized.

STRIKE

- For MS bolt, a 4001-011 strike plate with dust box is furnished. Threshold bolt strike can be 1/2" diameter hole in metal threshold or, if threshold is wood, 4005 strike is available as an option.

CYLINDER CAM

- 1837 Two-Point Deadlocks are operable by any standard 1-5/32" diameter mortise cylinder with MS® cam, dimensioned as shown. Cylinders with MS® cams can be readily obtained from most cylinder manufacturers. See CYLINDERS section for cylinder make, thumbturn and trim ring information.

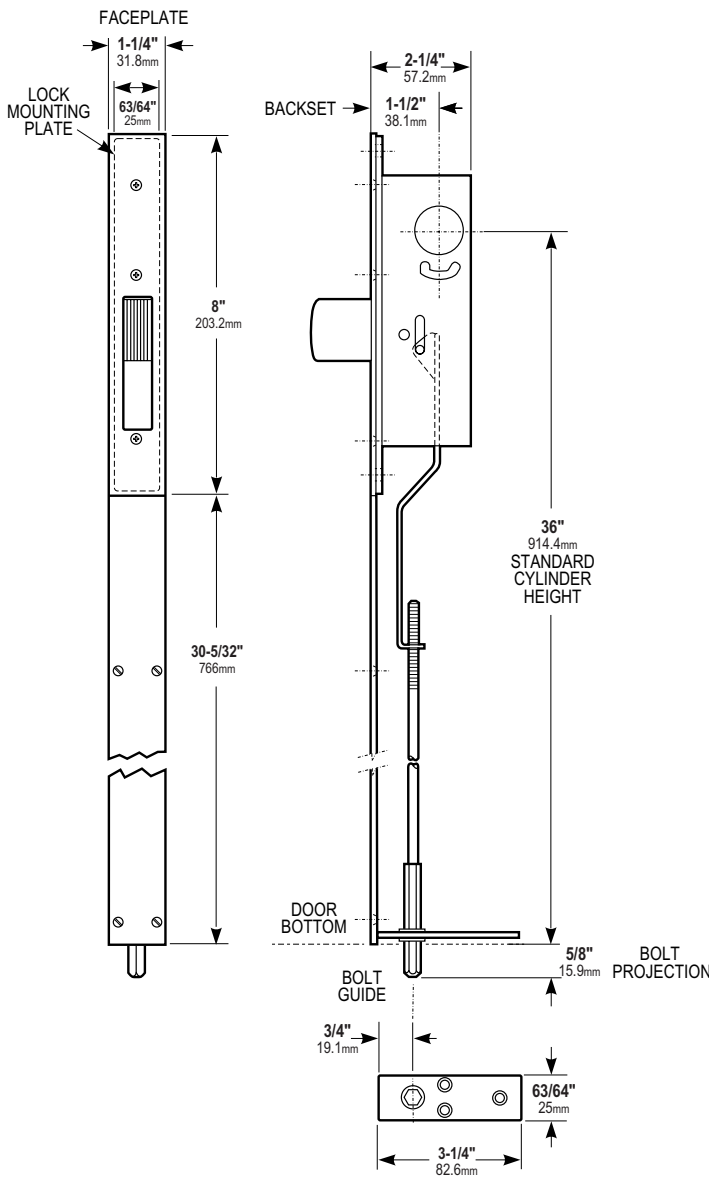


STANDARD PACKAGE

- Basic MS lock individually boxed with mounting screws. Hexbolt and rod packed separately with face extension plate, screws, bottom bolt guide, and attachment pin. Cylinders and/or thumbturns available separately. Shipping weight: 3 lbs.

All measurements are approximate and are provided for informational purposes only. Refer to the product Installation Instructions.

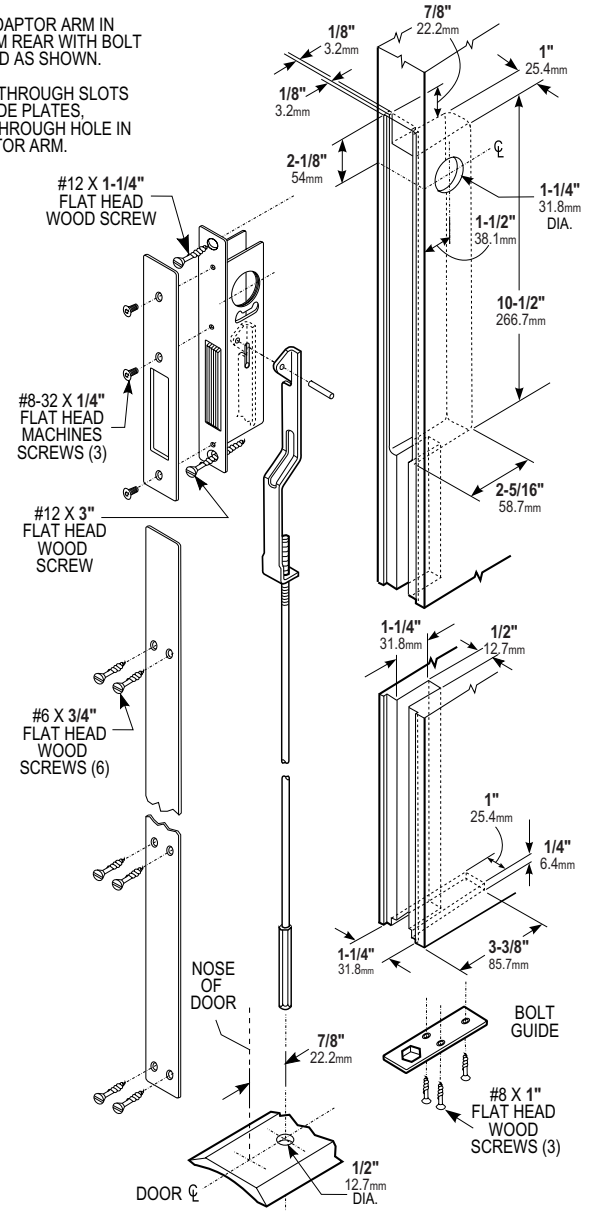
Dimensions



Installation

INSTALL ADAPTOR ARM IN LOCK FROM REAR WITH BOLT RETRACTED AS SHOWN.

DRIVE PIN THROUGH SLOTS IN LOCK SIDE PLATES, PASSING THROUGH HOLE IN THE ADAPTOR ARM.



HOW TO ORDER MS1837 SERIES MS® TWO-POINT DEADLOCK

Specify quantity and the following information. Order related products separately.

PRODUCT NO.	FINISH	
MS1837	-313	
	313 Dark Bronze Anodized	626 Satin Chrome
	335 Black Anodized	628 Clear Anodized
	605 Bright Brass	

If cylinder height other than 36" is required, specify exact height from bottom of door to cylinder center.

RELATED PRODUCTS When purchasing this product, please consider the following related products, available separately:

Accessories

4005 trim strike for wooden threshold.

Cylinders

MS1837 Two-Point Deadlocks are operable by any standard 1-5/32" diameter mortise cylinder with MS® cam.