

MS1850SN Series MS® Deadlock (ANSI Size)



HOLLOW
METAL



WOOD

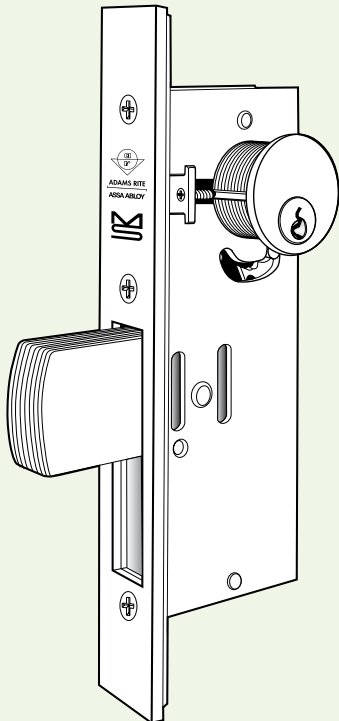


GRADE 1
E8211

The ANSI size MS1850SN Deadlock utilizes a laminated stainless steel bolt, activated by a pivot mechanism to provide maximum security for hollow metal or wood doors.

Function

For hollow metal or wood doors prepared for hardware according to the specifications of the American National Standards Institute (ANSI), the MS1850SN Deadlock provides maximum security and ease of installation. Its standard 1-1/2" backset dimension provides adequate clearance for the deep stop on the door jamb of hollow metal entrances.



Operation

360° turn of key or thumbturn throws or retracts the counterbalanced bolt. Key can be removed only when bolt is in a positively locked or unlocked position. Lock accepts any standard 1-5/32" diameter mortise cylinder from either or both sides. Cylinder must have MS® dimensioned cam.

Specifications

CYLINDER BACKSET

- 1-1/2" only.

CASE

- Steel with corrosion-resistant plating, measures 1" x 6" x 2-1/4".

BOLT

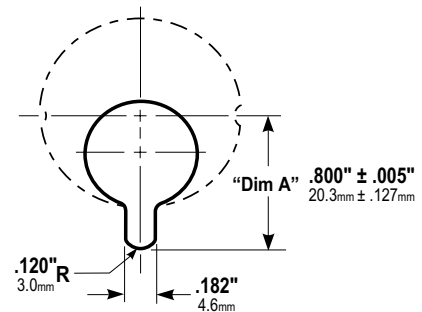
- 5/8" x 1-3/8" x 2-7/8" with 1-3/8" throw. Eight-ply laminated stainless steel. Center ply has alumina-ceramic core to defeat any hacksaw attack, including rod-type "super" hacksaws.

STRIKE

- Available in lipped, ANSI-spec version in steel with chrome finish. See back of page for dimensions of strike slot which can be cut in metal jamb. Other strikes are available separately.

CYLINDER CAM

- MS1850SN Deadlocks are operable by any standard 1-5/32" diameter mortise cylinder with MS® cam dimensioned as shown. Cylinders with MS® cams can be readily obtained from most cylinder manufacturers. See CYLINDERS section for cylinder make, thumbturn and trim ring information.



OPTIONS

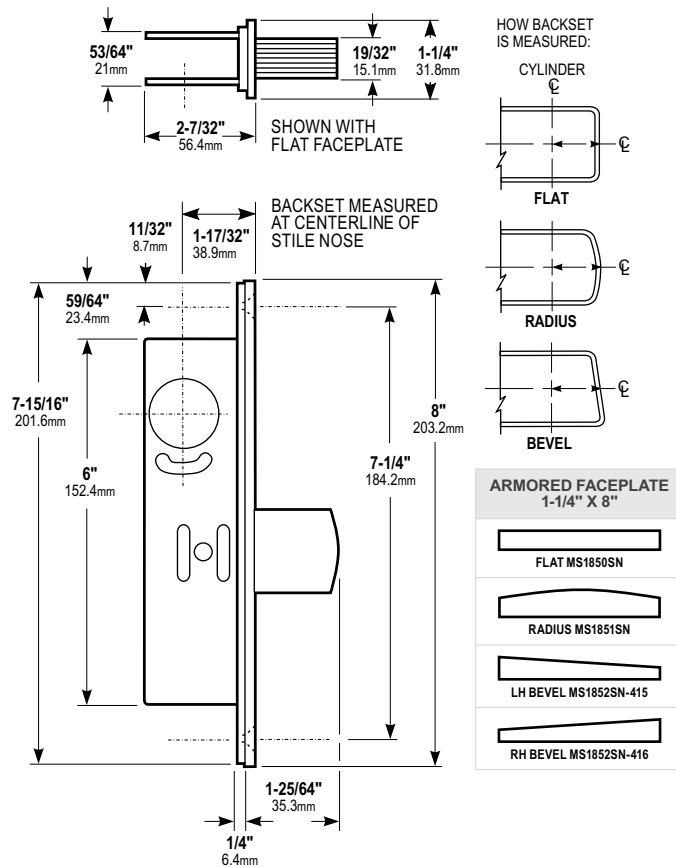
- Second and third point locking bolts are available for pairs of steel doors. Shorter "hookbolt" version also available. All use any make standard mortise cylinder and thus can be keyed into systems with other types of doors. "SCHOOLHOUSE" version, also available, is modified so that operation from inside is "unlock only". This lock is handed and must be specified LH or RH. Specify Series SCH1850SN. Same faceplate and backset options as Series MS1850SN. Operation from inside, with standard Adams Rite 4066 Turn.

STANDARD PACKAGE

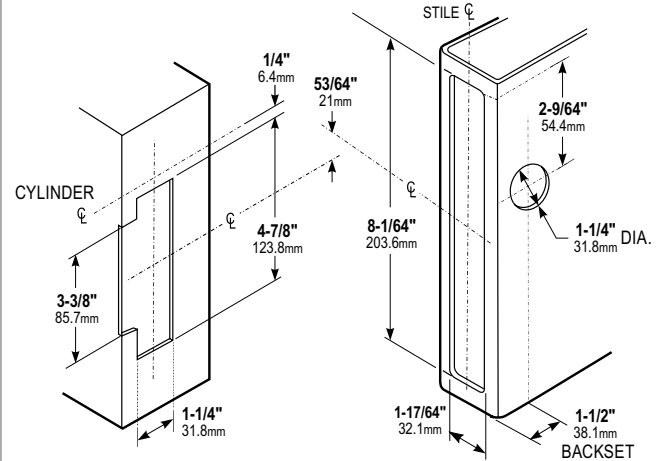
- Individually boxed with machine screws for mounting. Cylinders and/or thumbturns available separately. Shipping weight: 1-1/2 lbs.

All measurements are approximate and are provided for informational purposes only. Refer to the product Installation Instructions.

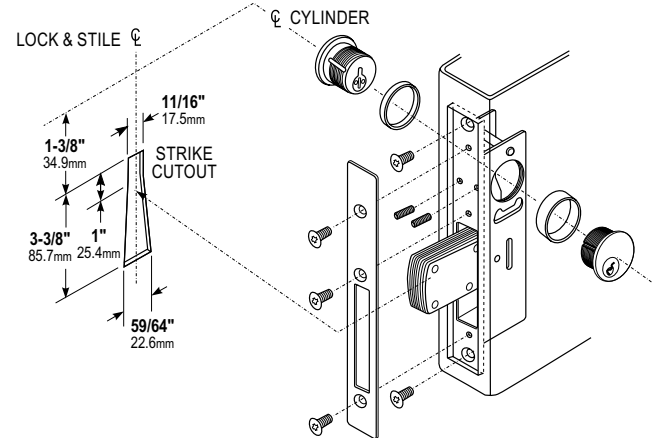
Dimensions



Jamb & Stile Preparation FOR 4003-01 ANSI STRIKE



Lock & Cylinder Installation



HOW TO ORDER MS1850SN DEADLOCK

Specify quantity and the following information. Order related products separately.

PRODUCT NO.	FACEPLATE	ANSI SIZE	HANDING	FINISH
MS185	0	SN	-410	-628
	0 Flat		415 LH or RHR	313 Dark Bronze Anodized
	1 Radius		416 RH or LHR	335 Black Anodized
	2 Bevel		410 Non-Handed*	628 Clear Anodized

*Any flat or radius faceplate, except Schoolhouse.

If ANSI strike required, specify 4003ANSI and finish: 626 or 605 (see ACCESSORIES).

RELATED PRODUCTS When purchasing this product, please consider the following related products, available separately:

Accessories

4015 Threshold Bolt or 4016 Header Bolt for multi-point locking.

4085 Header Bolt for hollow metal pairs of doors. 4085 Header Bolt not recommended for wood applications.

Deadlock strikes.

Lock mounting accessories and options.

Cylinders

MS1850SN Deadlocks are operable by any standard 1-5/32" diameter mortise cylinder with MS® cam.

Trim

Deadlock lever trim & keyless entry trim.

Special Order Options

Schoolhouse function available as special order.