

MS1950-050 Series MS® Deadlock



ALUMINUM

GRADE 1
E8281/E8291

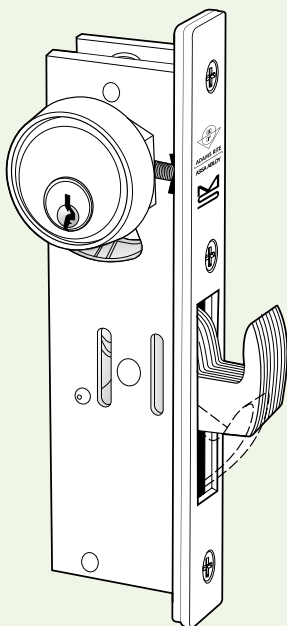
The stainless steel MS1950-050 Deadlock utilizes a laminated stainless steel hookbolt, activated by a pivot mechanism to provide maximum security for a single leaf narrow stile door.

Function

The MS1950-050 Deadlock answers the security need of sliding doors in commercial, industrial, and institutional buildings. The mechanism is identical to the widely used Maximum Security swinging door lock, except that the massive laminated bolt is provided in a hook shape to resist the parting motion of sliding door and jamb. The over-center MS locking action assures that forced entry attempts to pry the door in any direction, up, down, or sideways, will be defeated.

Operation

360° turn of key or thumbturn throws or retracts the counterbalanced bolt. Key can be removed only when bolt is in a positively locked or unlocked position. Lock accepts any standard 1-5/32" diameter mortise cylinder or thumbturn from either or both sides. Cylinder must have MS® dimensioned cam.



Specifications

CYLINDER BACKSET

- 31/32", 1-1/8", or 1-1/2" only.

CASE

- Fully stainless steel case and internal components, measures 1" x 6" x depth. Depth varies by backset (see table on back of page).

BOLT

- 5/8" x 1-3/8" with 13/16" throw. Eight-ply laminated stainless steel. Center ply has alumina-ceramic core to defeat any hacksaw attack, including rod-type "super" hacksaws, while hook shape repels pry bar attempts to "spread" the door from its jamb or lift it off its track.

FACEPLATE

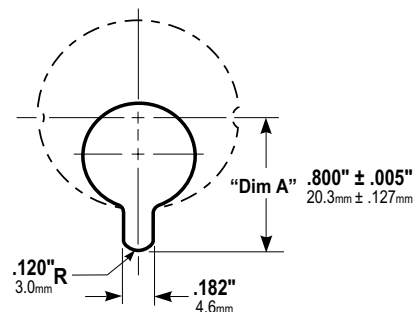
- Measures 1" x 6-7/8".

STRIKE

- See back page for dimensions of strike slot which can be cut in metal jamb. Trim plate, box strike, and armored strike are available separately.

CYLINDER CAM

- MS1950-050 Deadlocks are operable by any standard 1-5/32" diameter mortise cylinder with MS® cam dimensioned as shown. Cylinders with MS® cams can be readily obtained from most cylinder manufacturers. See CYLINDERS section for cylinder make, thumbturn and trim ring information.



OPTIONS

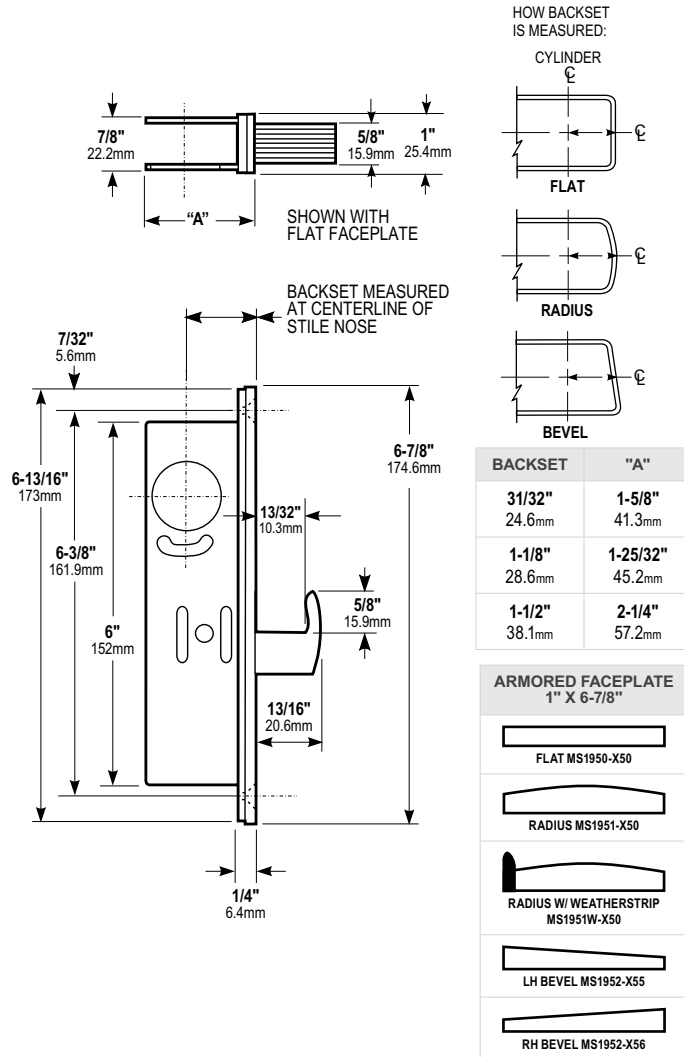
- Cylinder backset and faceplate finish and shape (radiused, flat or bevel cross-section to match door nose) must be specified. "SCHOOLHOUSE" version, also available, is modified so that operation from inside is "unlock only". This lock is handed and must be specified LH or RH. Specify Series SCH1950-050. Same faceplate and backset options as Series MS1950-050. Operation from inside, with standard Adams Rite 4066 Turn or with 4550 Deadlock Lever. For wood or hollow metal, see MS1850SN.

STANDARD PACKAGE

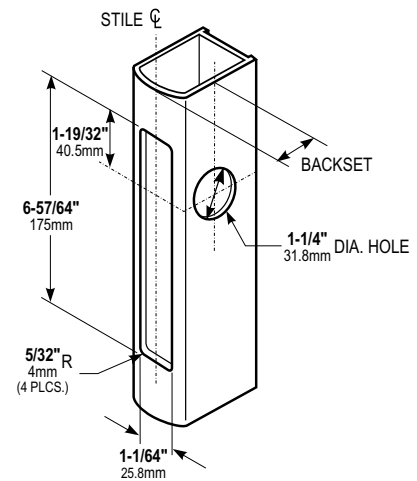
- Individually boxed with machine screws for mounting. Cylinders and/or thumbturns available separately. Shipping weight: 1-1/2 lbs.

All measurements are approximate and are provided for informational purposes only. Refer to the product Installation Instructions.

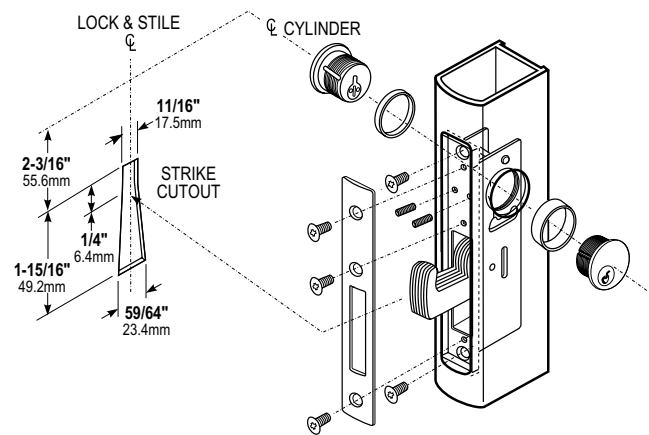
Dimensions



Stile Preparation



Lock & Cylinder Installation



HOW TO ORDER MS1950-050 SERIES DEADLOCK

Specify quantity and the following information. Order related products separately.

| PRODUCT NO. | FACEPLATE | BACKSET | HANDING | FINISH |
|--------------|-----------------------------|-----------|----------------|--------------------------|
| MS195 | 0 | -2 | 10 | -628 |
| | 0 Flat | 2 31/32" | 15 LH or RHR | 313 Dark Bronze Anodized |
| | 1 Radius | 3 1-1/8" | 16 RH or LHR | 335 Black Anodized |
| | 1W Radius with weatherstrip | 4 1-1/2" | 10 Non-Handed* | 628 Clear Anodized |
| | 2 Bevel | | | |

*Any flat or radius faceplate.

RELATED PRODUCTS When purchasing this product, please consider the following related products, available separately:

Accessories

4015 Threshold Bolt or 4016 Header Bolt for multi-point locking.

4085 Header Bolt for pairs of doors.

4000, 4001, MS4002 Deadlock Strikes.

Lock mounting accessories and options.

Cylinders

MS1950-050 Deadlocks are operable by any standard 1-5/32" diameter mortise cylinder with MS® cam.

Trim

Deadlock lever trim and keyless entry trim.

Exit indicators.

Special Order Options

Schoolhouse function available as special order.