

4000 Series MS® Deadlock Strikes



ALUMINUM

HOLLOW
METAL

WOOD

4000 Series MS® Deadlock Strikes add aesthetics and finish to strike cutouts in jambs.

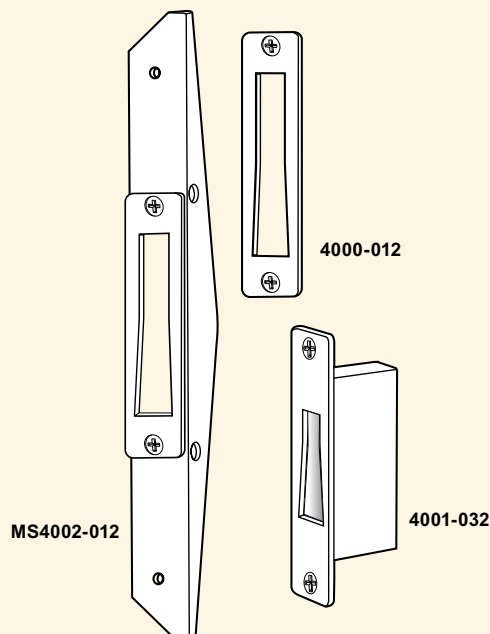
Function

The majority of Adams Rite MS® deadlocks are installed in metal construction where the strike cutout can be simply a slot in the jamb. However, for aesthetic reasons or in the case of the MS4002 for added security, many who specify the MS deadlock add one of these strikes.

Specifications

4000 TRIM STRIKE

- A simple strike plate that can be surface mounted on a wood or metal jamb or mortised flush. Furnished with two #10 flat head machine screws and two #10 flat head wood screws.
- **Material & Finish:** Made of aluminum. Available in US28 (628), clear anodized, 313 dark bronze anodized, and 335 black anodized.



4001 BOX STRIKE

- Same trim plate as 4000, but with dust box added. Customarily used only for wood construction where the dust box prevents chips, sawdust, and other debris from entering strike. Furnished with both wood and machine screws.
- **Material & Finish:** Trim plate is aluminum, box is steel plated for corrosion resistance. Available in US28 (628) clear anodized, 313 dark bronze anodized, and 335 black anodized.

MS4002 ARMORED STRIKE

- Same trim plate as 4000 and 4001, but backed up by a massive steel doubler designed to prevent the method of forced entry known as "jamb peeling". Fits within aluminum or other hollow jamb sections with trim face flush, the steel completely hidden. Available flat or radiused, for pairs of doors*, and to fit all MS® deadlocks, including the hookbolt version in sliding doors (hookbolt use dictates door/jamb gap of 1/8" or less). Unhanded, may be used with RH or LH swinging or sliding doors.

*Can be used with two-point and three-point MS locks.

- **Material & Finish:** Trim plate is aluminum. Reinforcement doubler is steel plated for corrosion resistance. Available in US28 (628), clear anodized, 313 dark bronze anodized, and 335 black anodized.

4003 ANSI STRIKE

- The 4003 strike is designed for ANSI applications for use with the MS1850SN Deadlock.
- **Material & Finish:** Trim plate is stainless steel. Available in 605 bright brass, 626 satin chrome and 119 black and 121 dark bronze.

4005 THRESHOLD STRIKE

- The 4005 Threshold Strike is designed for a drop-bolt such as 4015 Threshold Bolt or 4016 Header Bolt in non-metal installations such as wood or concrete.
- **Material & Finish:** Trim plate is stainless steel. Available in 630 satin stainless steel.

4006 FLOOR STRIKE

- Similar to 4001 Box Strike, the 4006 Floor Strike is a trim plate with dust box added for strike slot cut into metal thresholds. Designed for use with the 1830 Bottom Rail Deadlock.
- **Material & Finish:** Trim plate is stainless steel. Available in 630 satin stainless steel, 119 black and 121 dark bronze.

OPTIONS

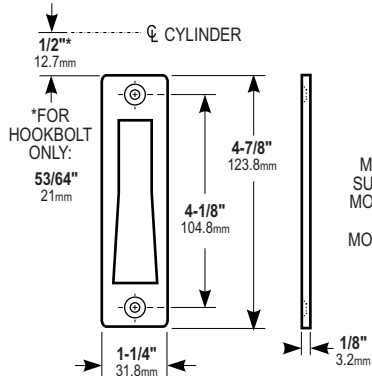
- Specify flat or radius shape of trim plate, round or square corners and lock compatibility when ordering. 4003-01 ANSI-dimensional lipped strike also available for MS1850SN Deadbolt.

All measurements are approximate and are provided for informational purposes only. Refer to the product Installation Instructions.

Dimensions

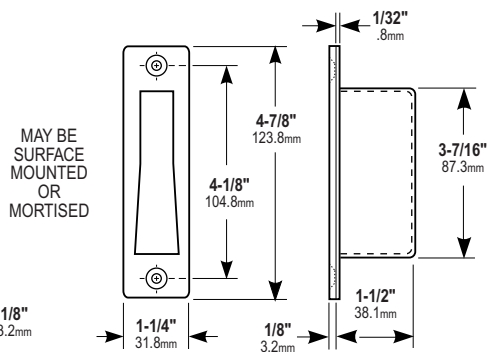
4000 Trim Strike

Strike plate only

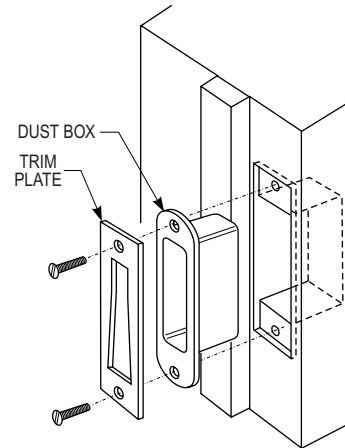


4001 Box Strike

Strike plate with dust box

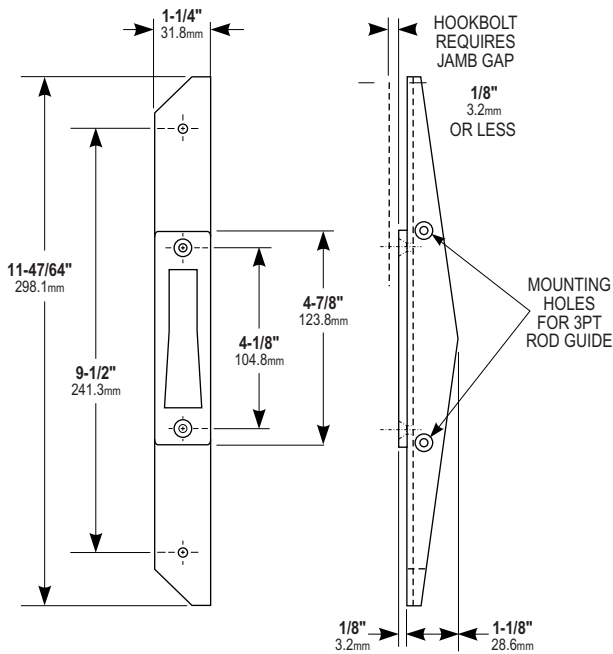


Mortise Jamb Installation

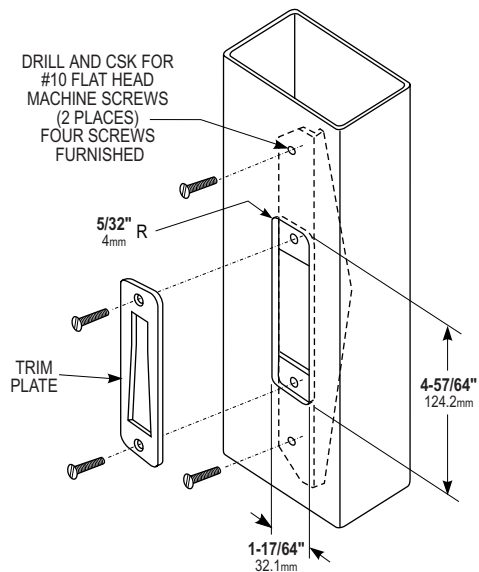


MS4002 Armored Strike

Strike plate with Reinforcement



Hollow Channel Jamb Preparation



HOW TO ORDER 4000, 4001, MS4002 DEADBOLT STRIKES

Specify quantity and the following information. Order related products separately.

STRIKE MODEL	TRIM PLATE SHAPE	COMPATIBLE DEADLOCK	TRIM PLATE CORNERS	FINISH
4001	-0	1	1	-313
4000 Trim Strike	0 Flat	1 All Standard MS® locks with 1-3/8" Bolt Throw	1 Square	313 Dark Bronze Anodized
4001 Box Strike	1 Radius	2 1850A-020 with 3/4" Bolt Throw Only	2 Round	335 Black Anodized
MS4002 Armored Strike		3 All MS-050 "Hookbolt" locks		628 Clear Anodized

COMPATIBLE PRODUCTS This product is compatible with the following products:

Deadlocks

Most Adams Rite Deadlocks