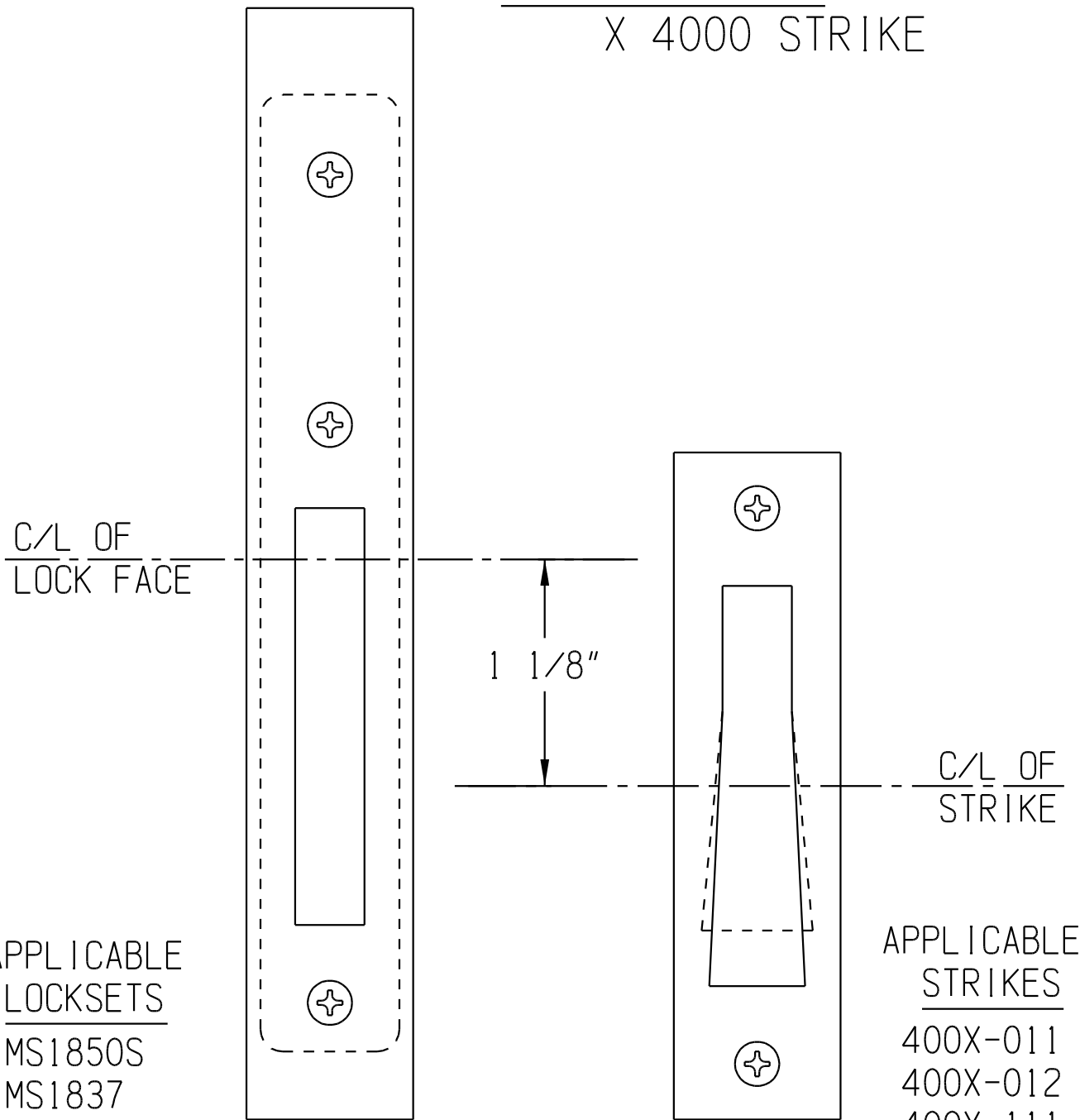


MS STANDARD BOLT (NON-HOOK)  
X 4000 STRIKE

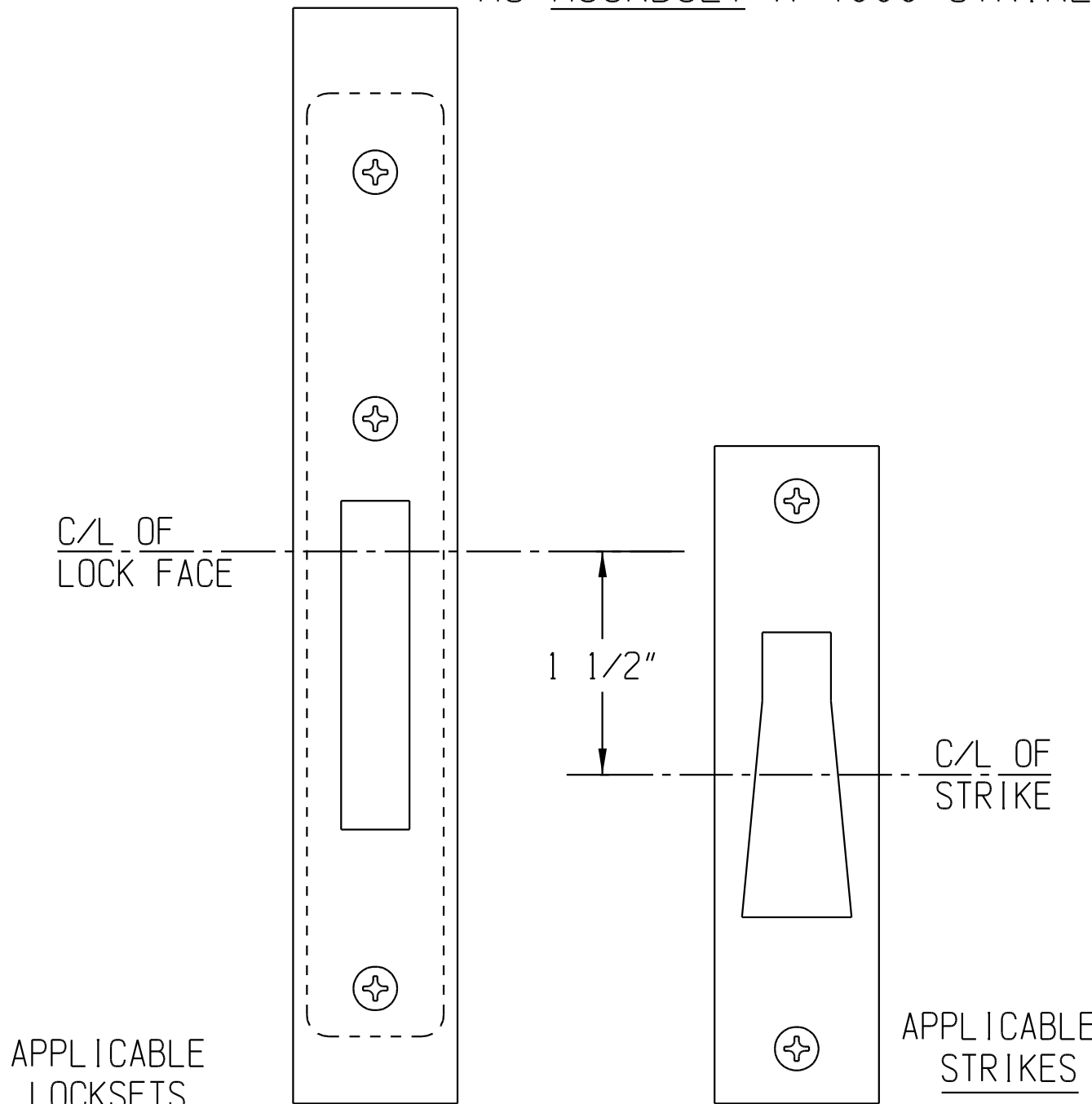


APPLICABLE  
LOCKSETS  
MS1850S  
MS1837  
MS1850SNSI  
1850-020

\*4000/4001/4002  
STRIKES

APPLICABLE  
STRIKES  
400X-011  
400X-012  
400X-111  
400X-112  
400X-021  
400X-022  
400X-121  
400X-122

MS HOOKBOLT X 4000 STRIKE



APPLICABLE  
LOCKSETS  
MS1850S-050  
MS1850SNSI-450

\*4000/4001/4002  
STRIKES

APPLICABLE  
STRIKES  
400X-031  
400X-032  
400X-131  
400X-132

PRODUCT MUST BE INSTALLED  
ACCORDING TO ALL APPLICABLE  
BUILDING AND LIFE SAFETY CODES



www.adamsrite.com  
Phone: 800-626-7590  
800-872-3267  
Fax: 866-582-4641  
800-232-7329

80-0180-11

\*4000 / 4001 / 4002 STRIKE

INSTALLATION INSTRUCTIONS

Rev. **D**

Ecn 11955A

Date: 06-20-12

Page 1 of 1

Appvd:

Date: