



ASSA ABLOY

Adams Rite

Phoenix, AZ 85044

Mon-Fri: 6:00am - 4:00pm PDT

Tel: 1-800-872-3267

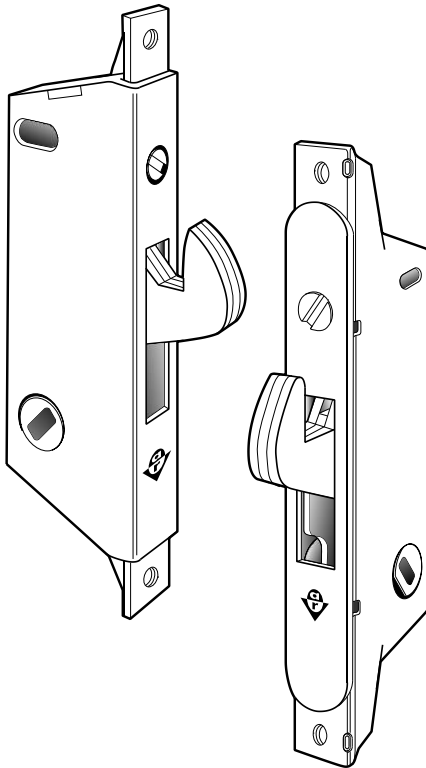
Fax: 1-800-232-7329

www.adamsrite.com

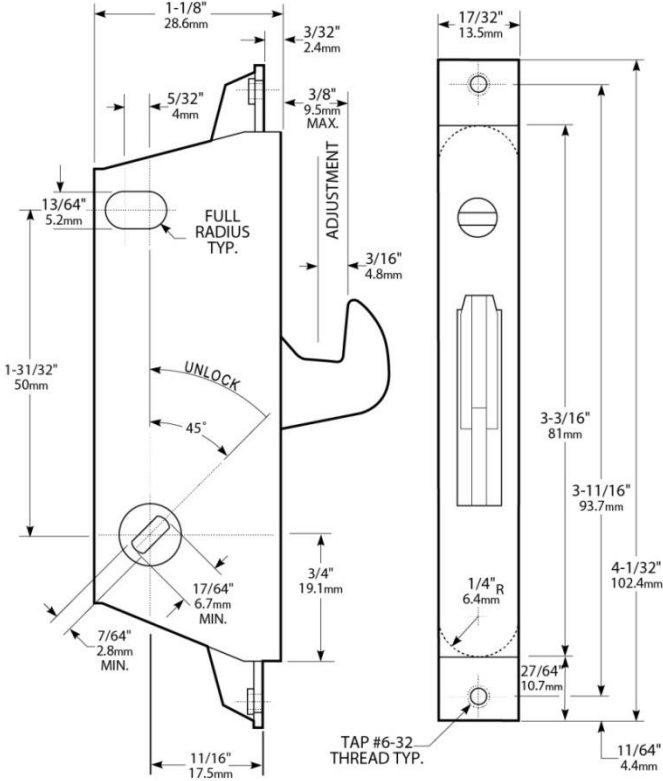
MS1847 Series MS[®]

Deadlock/Deadlatch

Installation Instructions



SPECIFICATIONS



IMPORTANT: This product must be installed according to all applicable building and life safety codes!

INSTALLATION

Tools and Equipment Needed

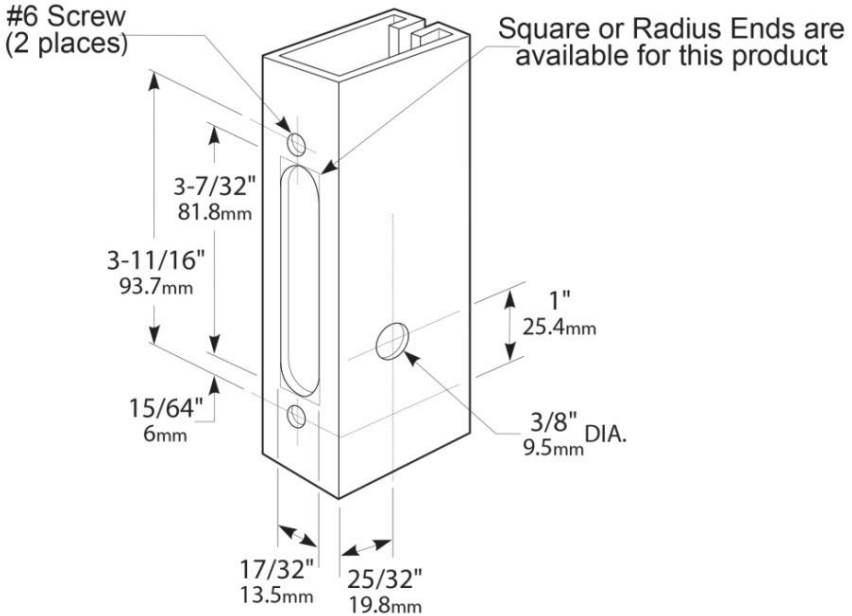
The following common hand tools are needed for installation:

- Needle Nose Vise Grips
- Flat tip screwdriver
- Drill
- Saw
- Measuring Tape/Ruler
- Phillips screwdriver
- Pencil or Ink Pen
- #6 Drill Bit
- File

Preparing the Stile

1. ENSURE the stile is prepared in accordance with the following figure.

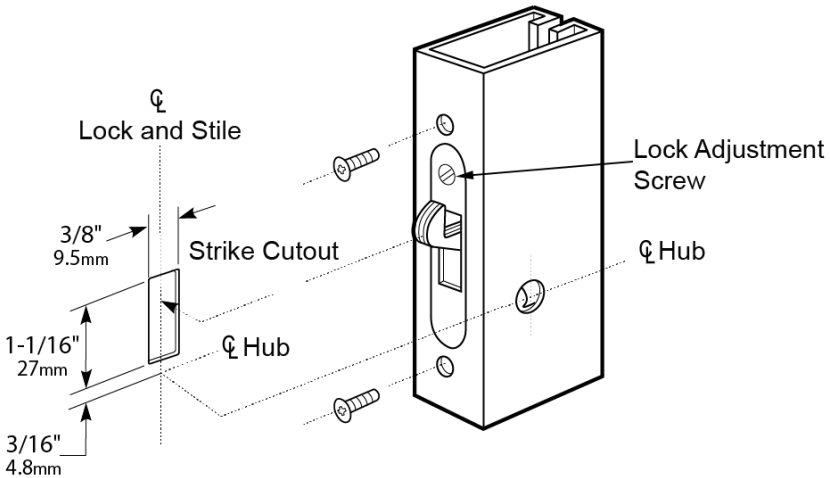
NOTE: Dimensions shown are recommended minimums.



Installing the MS1847

1. DETERMINE the following:
 - Style of lock face end: rectangular or full radiused
 - Hub angle: vertical, 22.5 degree, or 45 degree.
 - Measurement of screw mounting holes
2. Using a flat head screwdriver, fully EXTEND the latch hook out of the lock body.
3. FASTEN the needle nose vise grips onto the latch hook with a snug fit.
4. INSERT the lock body into the door.

5. SCREW the lock into position using the two lock mounting screws on the door's edge (see figure below).



6. REMOVE the needle nose vise grips.
7. INSTALL the latch lever and ENSURE it engages the lock.
8. INSTALL the door handle or cylinder pull, if applicable, using the two door handle mounting screws.
9. CHECK the operation of the door.

NOTE: The lock adjustment screw allows for up to 3/16" [4.8 mm] of adjustment.

10. **IF** the door does not lock,
OR there is too much play in the lock,
THEN ADJUST the lock, as necessary, using the adjustment screw on the front top of the lock.

Adams Rite is a brand associated with Hanchett Entry Systems, Inc., an ASSA ABLOY Group company. Copyright © 2016, Hanchett Entry Systems, Inc. All rights reserved. Reproduction in whole or in part without the express written permission of Hanchett Entry Systems, Inc. is prohibited.