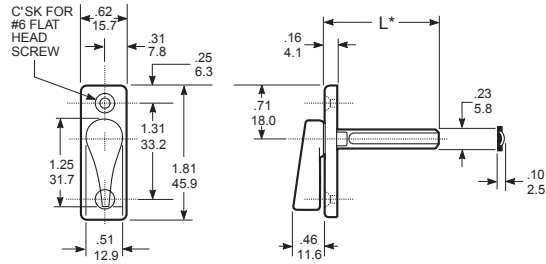


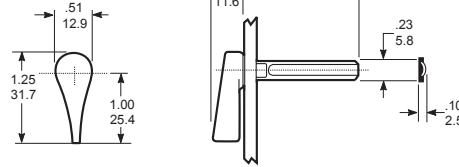
INCHES
MILLIMETERS
Nominal, subject to tolerance extremes.



Turn with Escutcheon
Furnished Assembled

1000-21
PERPENDICULAR DRIVE

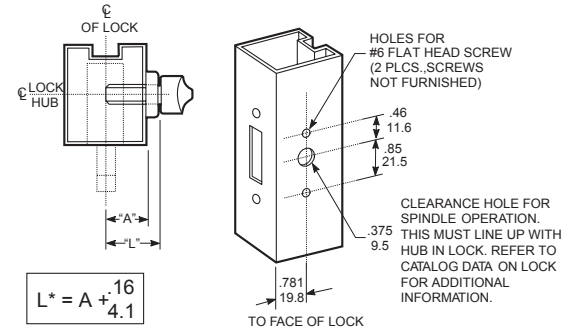
1000-11
PARALLEL DRIVE



Turn without Escutcheon
Furnished Unassembled

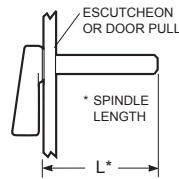
1000-02
PERPENDICULAR DRIVE

1000-01
PARALLEL DRIVE

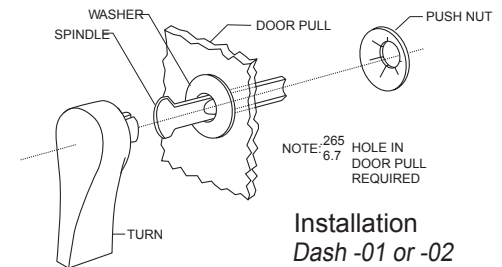
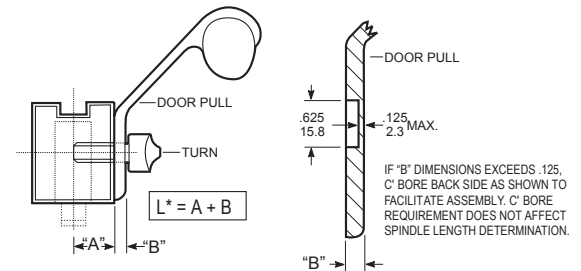


$$L^* = A + \begin{matrix} .16 \\ 4.1 \end{matrix}$$

Stile Preparation
Dash -11 or -21



| Second Dash Number | | | |
|--------------------|-----------|-----|-----------|
| No. | "L" | No. | "L" |
| -11 | .54 (13) | -22 | 1.23 (31) |
| -12 | .61 (15) | -23 | 1.29 (33) |
| -13 | .67 (16) | -24 | 1.36 (34) |
| -14 | .73 (18) | -25 | 1.42 (36) |
| -15 | .79 (20) | -26 | 1.48 (37) |
| -16 | .86 (22) | -27 | 1.52 (38) |
| -17 | .92 (23) | -28 | 1.61 (41) |
| -18 | .98 (24) | -29 | 1.67 (42) |
| -19 | 1.04 (26) | -30 | 1.73 (43) |
| -20 | 1.11 (26) | -31 | 1.79 (45) |
| -21 | 1.17 (30) | -32 | 1.86 (47) |



Installation
Dash -01 or -02



ADAMS RITE MANUFACTURING CO.

260 Santa Fe Street, Pomona, CA 91767
Phone: (909) 632-2300 Fax: (909) 632-2369

1000 Series Turns