

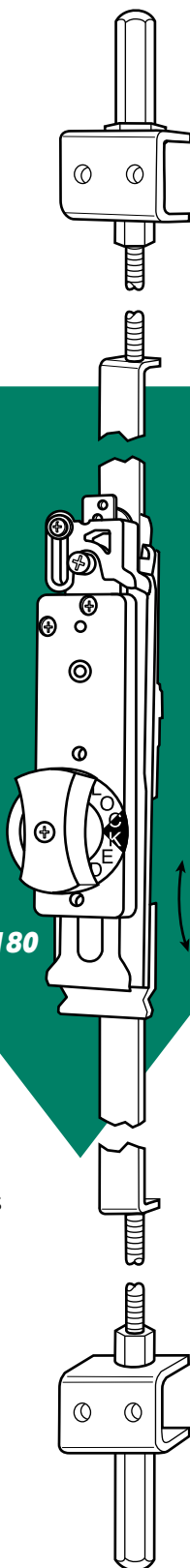
Auto-Release Two-Point Flushbolt

For Aluminum Stile Doors

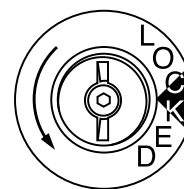
MS2180 Series

Compatible Locks:

MS1850 Deadbolt
MS1850S Deadbolt
MS1850S-050 "Hookbolt"
MS1850SN Deadbolt
MS1850SN-050 "Hookbolt"
1850S-020 Shortbolt
MS1950 Deadbolt



MS2181
Turn Lever



MS2182
Flush-Operator

Turn lever/Indicator

MS2180 has an hourglass shape for firm finger grip. Red lettered indicator shows "LOCKED" when secure. MS2181 has teardrop shaped lever. MS2182 is a limited-access flush turn to comply with IBC requirement for "no doorknob" actuation. MS2182 is supplied with actuation tool.

Interlock

Mechanism includes device to prevent entry of pivoted bolt until vertical bolts are locked and to prevent unlocking of vertical bolts when pivoted bolt is locked.

Monitoring

Monitoring Kit – (MK-2180) Add-on switch kit that signals when the top and bottom bolts are fully projected and the MS deadbolt is in the extended and locked position. More than an easily defeated door position switch, this provides a tamper-proof indication of the door position and locked condition. Form C switch.

Operation

Turn knob or lever 120° counterclockwise to throw stainless steel bolts into header and threshold and clear strike opening so pivoted MS bolt can enter from active door. Clockwise turn retracts vertical bolts and blocks entry of pivoted bolt.

Turn Height

Matches cylinder height of MS® lock in active door, adjustable from 34" to 48".

Top and Bottom Bolts

Hexagonal 3/8" flat to flat. Stainless steel. Guides furnished. Bolt "throw" is .72 inch. Strike required in metal headers and thresholds is 1/2" diameter hole. For wood frame installations order two 4005 strikes separately.

Function

Used instead of code-violating manual (flip-lever) flushbolts in the inactive leaf of door pairs. One turn pins the inactive leaf in position. The pivoting MS deadbolt in the active leaf secures the entire opening. The action of securing the MS deadlock trips an internal mechanism in the MS2180 so that when the MS deadlock is retracted, the entire opening releases with only one operation. **Not to be used as a stand-alone locking mechanism!**

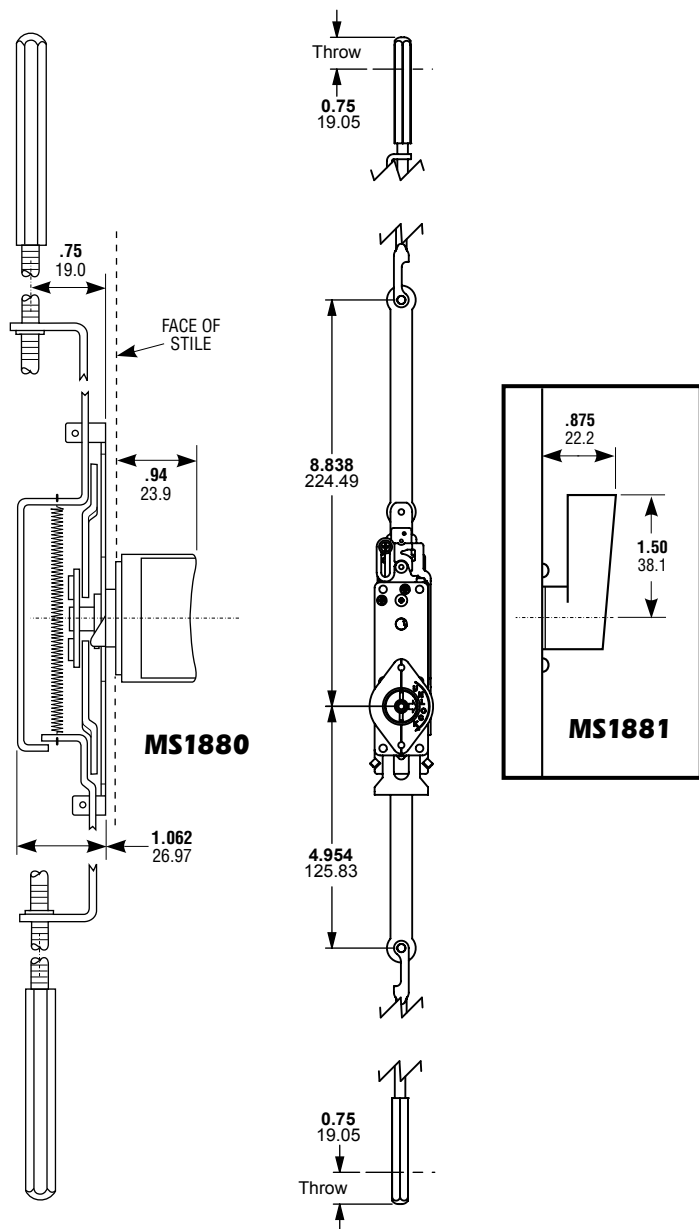
Operates in conjunction with any MS pivoting Deadbolt



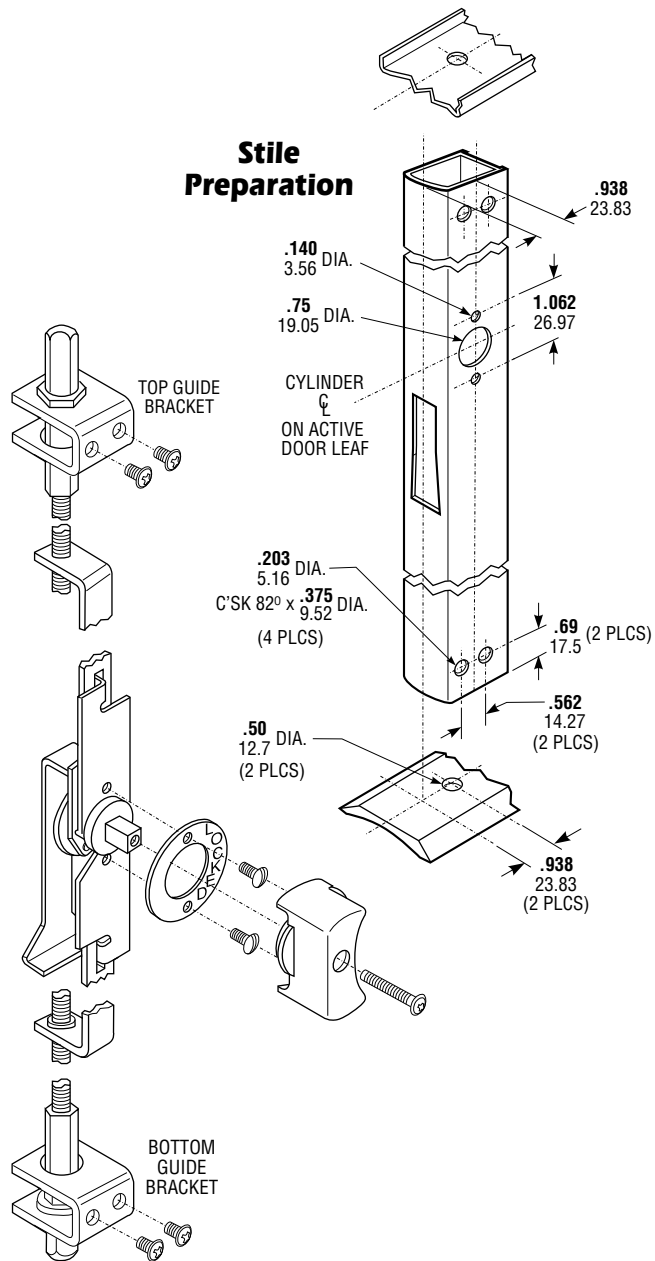
MS2180 Series Auto-Release Two-Point Flushbolt

DIMENSIONS

INCHES
MILLIMETERS
Nominal, subject to tolerance extremes.



INSTALLATION



HOW TO ORDER

Specify quantity and the following information.
Order related hardware separately.

Turn Shape

- 80 Hourglass
- 81 Teardrop
- 82 Flush

Door Height (From floor to top of door)

- 07 Up to 7' Door
- 08 Up to 8' Door
- 09 Up to 9' Door
- 10 Up to 10' Door

MS2180 - 07 - 682

Finish to Match

- 628 Clear Anodized
- 313 Dark Bronze Anodized
- 335 Black Anodized

OPTIONS

For wood header or threshold, order 4005 strikes separately.
Monitor Kit - MK-2180

STANDARD PACKAGE

Individually boxed with bolt guides and screws. Shipping weight: 2 lbs.