

MS1880, MS1881 Two-Point Flushbolts

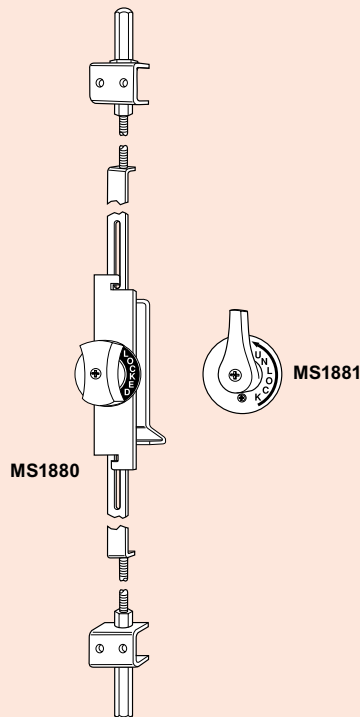


ALUMINUM

MS1880 and MS1881 Two-Point Flushbolts offer greater convenience than flip-lever flushbolts. With one operation, they provide security and reduce human error.

Function

Used instead of flip-lever flushbolts in the inactive leaf of paired doors, the MS1880 and MS1881 offer greater convenience: one operation instead of two. It also promotes security by removing an element of human error. A positive blocking device makes it impossible to turn the key in the active door unless the inactive leaf has first been secured. This two-point flushbolt must be installed in conjunction with a pivoted bolt MS® deadlock. Cannot be unlocked when pivoted bolt is in locked position. **Not to be used as a standalone locking mechanism.**



Operation

Turn knob or lever 180° clockwise to throw hardened steel bolts into header and threshold and clear strike opening so pivoted MS® bolt can enter from active door. Counterclockwise turn retracts vertical bolts and blocks entry of pivoted bolt.

Operates in conjunction with any MS® pivoting deadlock.

Specifications

TURN HEIGHT

- Matches cylinder height of MS® lock in active door.

TURN/INDICATOR

- MS1880 has an hourglass shape for firmer finger grip. Finish is US26D Satin Chrome (682). Red background indicator has aluminum letters reading "LOCKED" (no message shown when unlocked). MS1881 has a teardrop shape lever with red letters on clear decal indicating unlock direction only.

TOP AND BOTTOM BOLTS

- Hexagonal 3/8" flat to flat. Stainless steel. Guides furnished. Bolt throw is 23/32". Strike required in metal headers and thresholds is 1/2" diameter hole. For wood installation, two 4005 strikes required are available separately.

INTERLOCK

- All steel mechanism includes device to prevent entry of pivoted bolt until vertical bolts are locked and conversely, to prevent unlocking of vertical bolts when pivoted bolt is locked.

OPTIONS

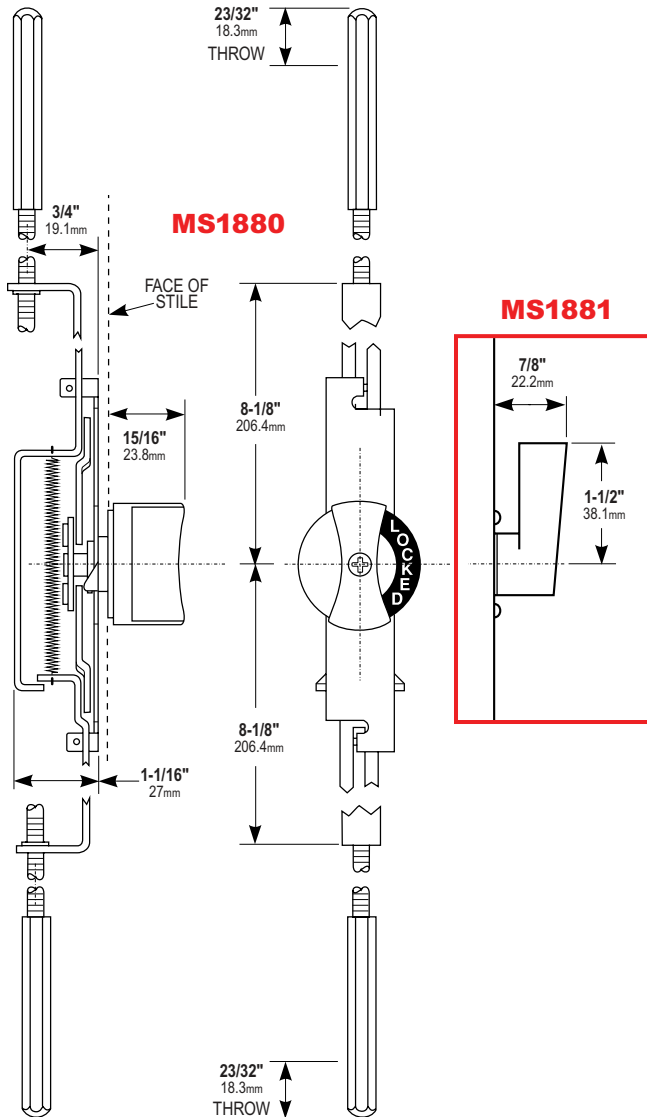
- For wood header or threshold order 4005 Strikes separately. For doors over 84" up to 120" Tall Door Kit TDK-1880 available separately.

STANDARD PACKAGE

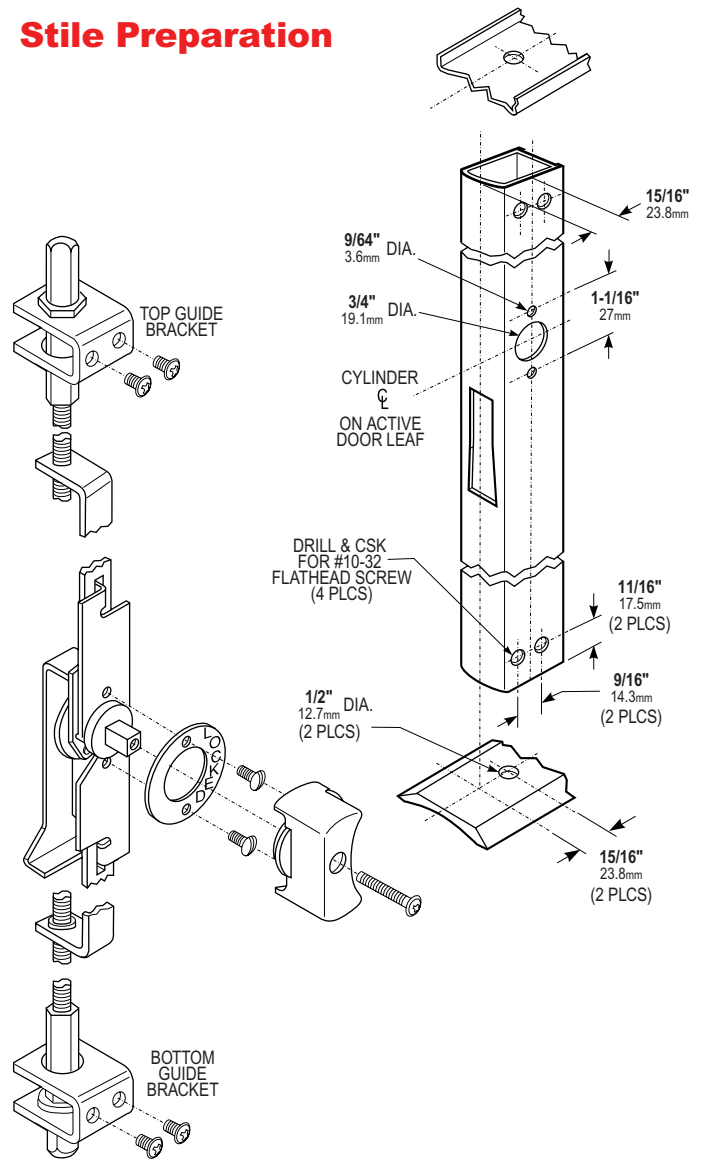
- Individually boxed with bolt guides and screws. Shipping weight: 2 lbs.

All measurements are approximate and are provided for informational purposes only. Refer to the product Installation Instructions.

Dimensions



Stile Preparation



HOW TO ORDER MS1880, MS1881 TWO-POINT FLUSHBOLTS

Specify quantity and the following information. Order related products separately.

| MODEL | TURN SHAPE | CYLINDER HEIGHT* | FINISH |
|-------------|--------------|--------------------|------------------|
| MS18 | 80 | -01 | -682 |
| MS18 | 80 Hourglass | 01 31" to 35" | 119 Black |
| | 81 Teardrop | 02 35-1/16" to 39" | 121 Dark Bronze |
| | | 03 39-1/16" 43" | 682 Satin Chrome |
| | | 04 43-1/16" to 47" | |
| | | 05 47-1/16" to 51" | |

*Distance from floor to cylinder centerline

RELATED PRODUCTS

When purchasing this product, please consider the following related products, available separately:

Accessories

TDK-1880 Tall Door Kit.

COMPATIBLE PRODUCTS

This product is compatible with the following products:

Deadlocks

MS1850S, MS1850S-050, MS1850SN, MS1850SN-050, 1850S-020 (shortbolt), MS1950