

4781 Two-Point Deadlatch with Paddle

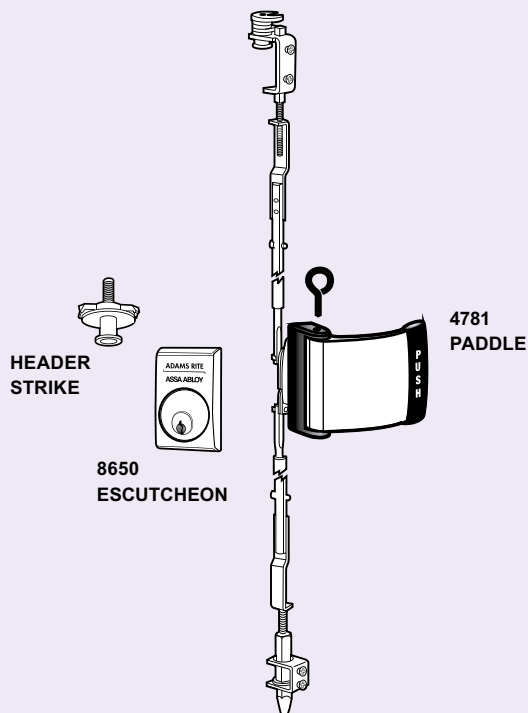


ALUMINUM

The 4781 Two-Point Deadlatch latches to header and threshold allowing both door leaves to remain active. It is designed for paired outswinging narrow stile doors, but is also suitable for single doors.

Function

Designed for paired outswinging narrow stile doors but also suitable for single doors. Instead of operating a conventional horizontal-throw latchbolt, the 4781 Two-Point Deadlatch latches to header and threshold. This allows both door leaves to be "active". There is no need to pin one door with flushbolts or other devices. The paddle is a modified version of the 4591 Deadlatch Paddle (see TRIM) and the concealed vertical rod mechanism is the same as used in Adams Rite's 8600 Series Exit Devices (see EXIT DEVICES). Note, however, that the 4781 Two-Point Deadlatch is not intended to substitute for an exit device, which must have a door-spanning bar.



Inside Operation

Push paddle to unblock top bolt and withdraw bottom bolt. Continuing to push will open the door in a very natural, ergonomically-friendly motion. Paddle stroke is approximately 1-1/2" at extreme end. Rod adjustment allows paddle (centerline) to be mounted at any height from 30 to 44 inches above the finished floor.

Outside Operation

If key entry operation is required, any standard mortise cylinder with MS® cam can be installed through an 8650 Cylinder Escutcheon. Any of the entry trim available with Adams Rite exit devices can be specified, in the version used for CVR devices.

Specifications

PADDLE DOGGING

- Turning hex screw in paddle escutcheon holds paddle down, leaving door free-swinging.

TOP BOLT

- Similar to door latches on some automobiles and aircraft, the U-shaped bolt wraps around the strike post to deadlock position, which also deadlocks the bottom bolt through a gear train at the center of the rod assembly.

HEADER STRIKE

- A flanged post installed on the header has generous location adjustment to allow for door misalignment, sag, bumpers, etc. Designed to prevent forced entry by bowing the door.

BOTTOM BOLT

- Stainless hexagonal steel bolt requires only a 1/2" diameter hole in threshold for a strike.

DOOR SIZE

- Standard unit will fit doors up to 66" above the paddle height (110" door if paddle is at max 44" height). For taller doors, order 8655 Tall Door Kit, which allows up to 97" above paddle.

OPTIONS

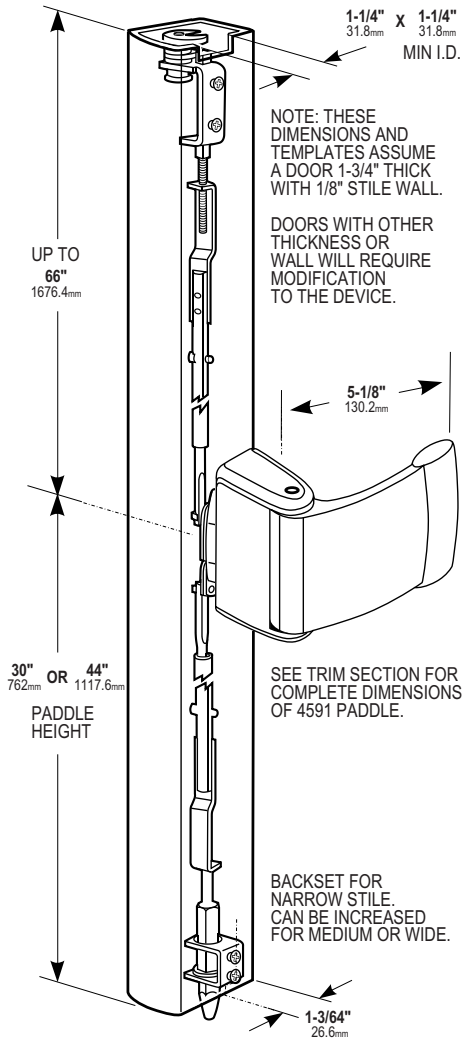
- Can be exit only or allow key access from outside with use of 8650 Cylinder Escutcheon. Entry trim available with Adams Rite exit devices can also be specified, in the version used for CVR devices.

STANDARD PACKAGE

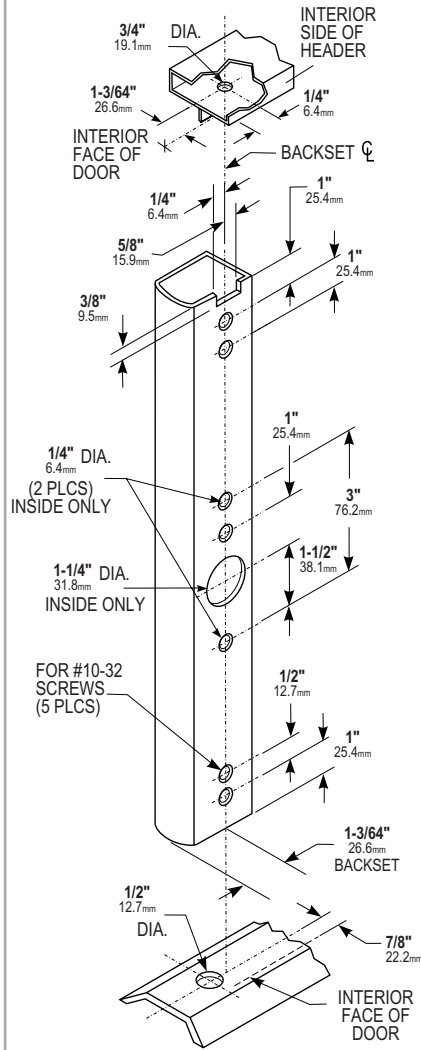
- Individually boxed with mounting screws and installation instructions. Shipping weight: 3 lbs.

All measurements are approximate and are provided for informational purposes only. Refer to the product Installation Instructions.

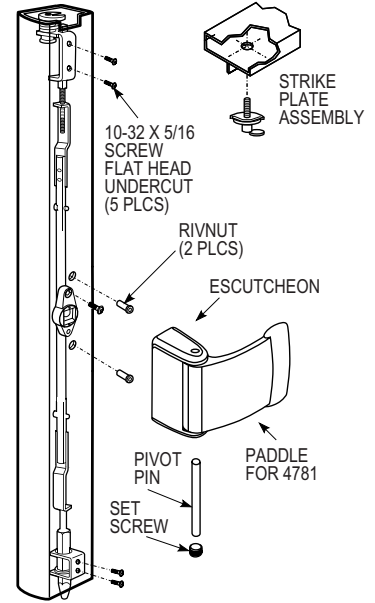
Dimensions



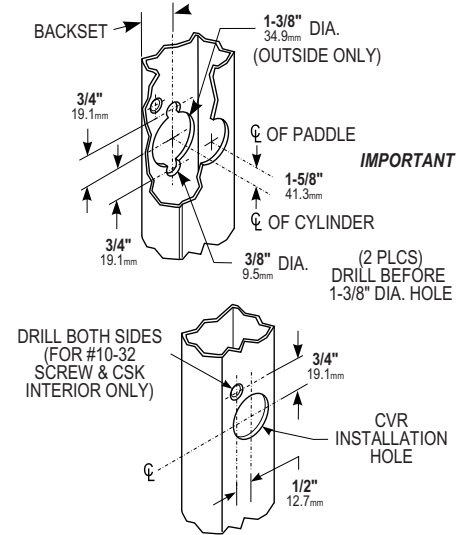
Door Preparation



Installation



Door Preparation WITH 8650 ESCUTCHEON*



*Other cylinder escutcheons for use with 17mm profile cylinders (in 44 or 55mm thick doors only) are also available and require different door prep than shown.

HOW TO ORDER 4781 TWO-POINT DEADLATCH Specify quantity and the following information. Order related products separately.

Product no.	OPERATION	PADDLE FINISH
4781	T -021	-628
T Top rod only	021 Push to LEFT	313 Dark Bronze Anodized US3 Bright Brass
- Standard rod	041 Push to RIGHT	335 Black Anodized US26 Bright Chrome
		628 Clear Anodized US26D Satin Chrome

RELATED PRODUCTS When purchasing this product, please consider the following related products, available separately:

Accessories

- 8650 Cylinder Escutcheon.
- 8655 Tall Door Kit.

Cylinders

- 4781 Two-Point Deadlatch is operable by any standard 1-5/32" diameter mortise cylinder with MS® cam.
- 4036 Mortise Cylinder.

Special Order Options

- 3080 Entry Trim.