

3080 Series Entry Trim



The 3080 Series Entry Trim provides outside activation for doors with any type of Adams Rite exit device. The locked handle is protected from vandalism and forced entry with a breakaway clutching mechanism

3080 Series Entry Trim Function

The 3080 Series provides outside activation of doors that have any type of Adams Rite Exit Device. Breakaway clutching mechanism protects the locked handle from vandalism or forced entry, in either direction. All models share the same core components, so handles can be changed without having to replace the entire trim. Solid construction meets Grade 1 standards.

3080E Electrified Entry Trim Function

The 3080E Electrified Entry Trim provides a continuous duty solenoid mounted to the trim, which enables remote activation of the locking function without unlatching the door, making this trim ideal for stairwell and fire doors.

Specifications

STANDARD HANDLES

- The 3080-01, -02, and -03 lever handles are designed to return within 1/2" of the door face. Handles in the Designer Series do not have this same feature. Please verify with local code requirements to ensure compliance.

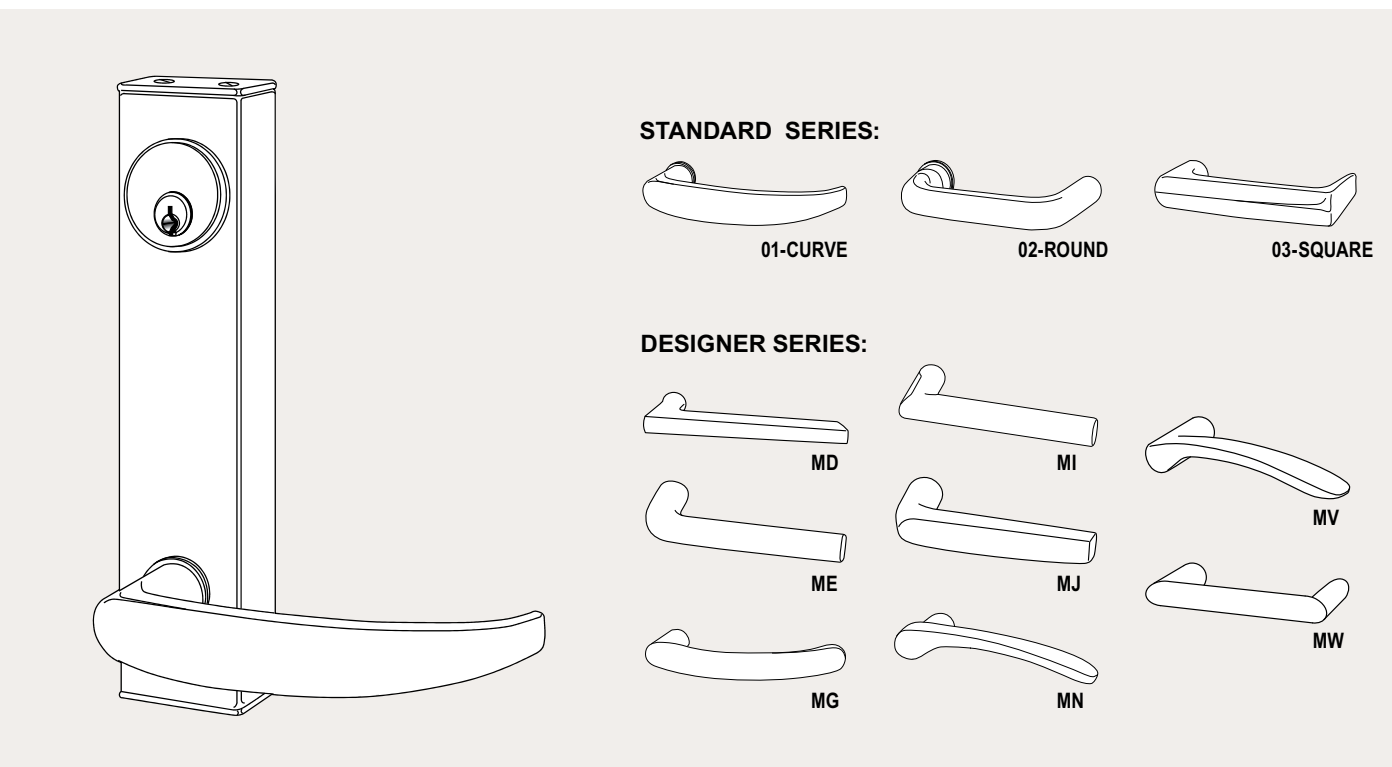
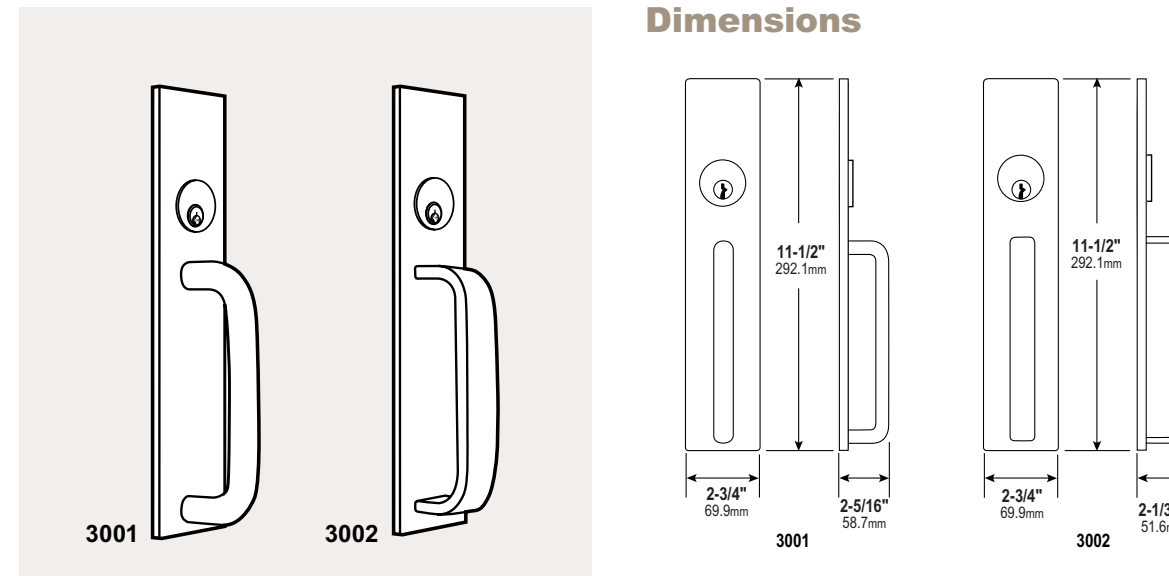
OPTIONS

- Can be ordered with or without a hole for cylinder. Order standard mortise cylinder with MS® cam separately. Order 4603 Rectifier, 4605/4606 Transformer or PS-1 Power Supply separately.

3001 & 3002 Fixed Pulls

US32D Satin Stainless Steel pulls have 2-3/4" x 11-1/2" escutcheon. Order with or without cylinder hole. For hollow metal and wood doors only.

Dimensions



HOW TO ORDER 3080 ENTRY TRIM

Specify quantity and the following information. Order related products separately.

PRODUCT NO.	ELECTRIFIED	HANDLE	HANDING	CYLINDER HOLE	EXIT DEVICE	VOLTAGE	FEATURES	TRIM COVER FINISH	FINISH
3080	E	-01	-0	-3	7	-3	0	M	US32D
	(BLANK) Standard	Standard Handles	0 No Handing 7 Right Hand*	3 With Hole 9 Without Hole	1 SVR 3 Mortise	Electrified Trim Only	Electrified Trim Only	- Standard (Black) M Matching Finish	US3 Bright Brass US4 Satin Brass
	E Electrified Trim	01 Curve 02 Round 03 Square Designer Series	8 Left Hand*		4 SCVR 6 CVR 7 Rim U Universal Kit	3 12 Volt DC 5 24 Volt DC	0 Fail-Secure 5 Fail-Safe		US10B Oil-Rubbed Bronze US32 Bright Stainless US32D Satin Stainless
		MD MJ ME MN* (Handed) MG MV* (Handed) MI MW							

*Handing must be specified for MN and MV Designer Handles

RELATED PRODUCTS

When purchasing this product, please consider the following related products, available separately:

Cylinder

3080 Entry Trim is operable by any standard 1-5/32" diameter mortise cylinder with MS® cam.

Power

4605/4606 Transformer, 4603 Rectifier, PS-1 Power Supply and 4612 Power Transfer Device, as required for the 3080E electrified trim.

COMPATIBLE PRODUCTS

This product is compatible with the following products:

Deadlatches

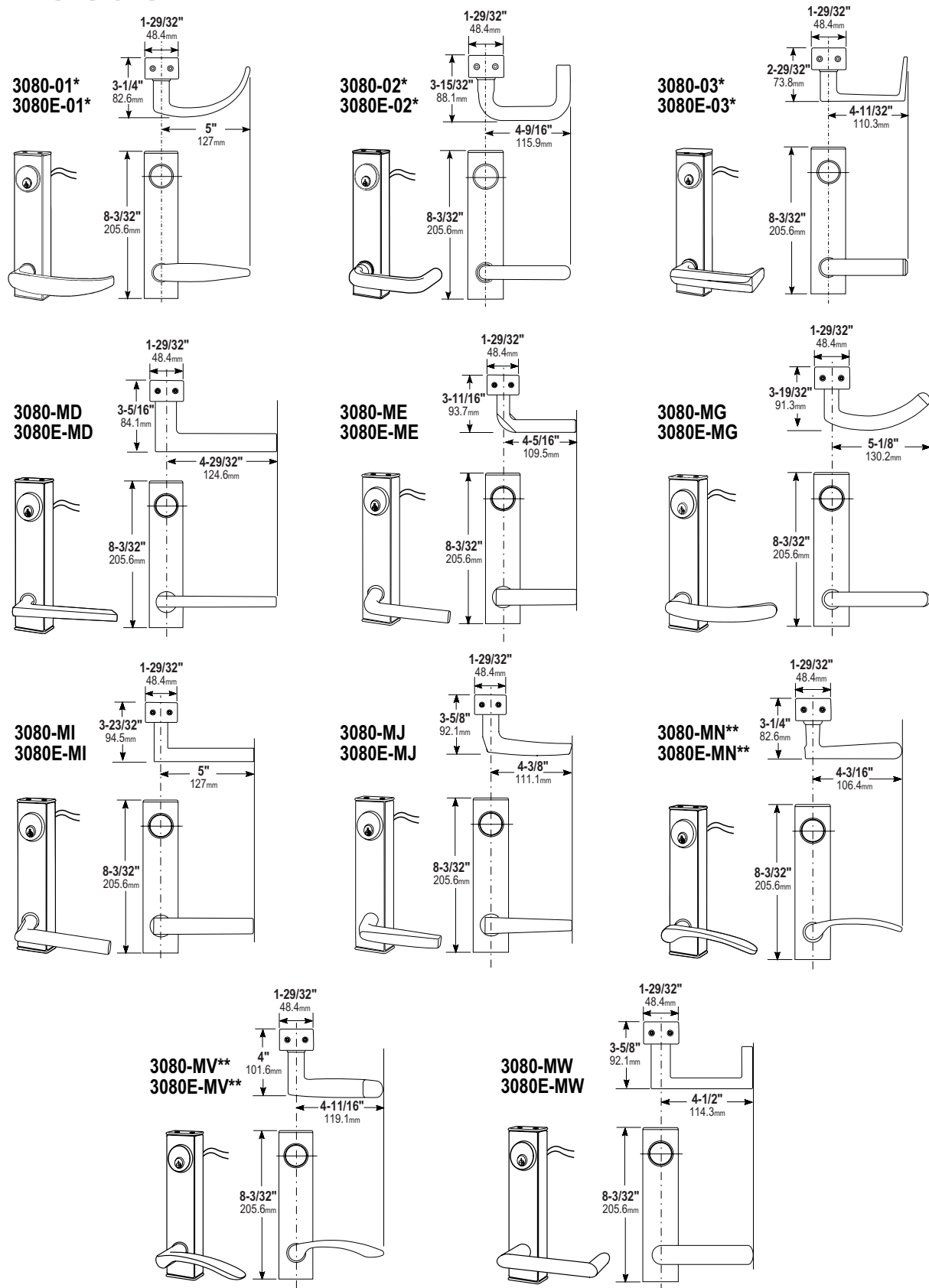
- 4300 Electrified Deadlatch.
- 4500 Series Standard Duty Deadlatch.
- 4900 Series Heavy Duty Deadlatch.
- 4781 Two-Point Deadlatch (with paddle).

Exit Devices

Adams Rite 8000 Series and 3000 Series Exit Devices

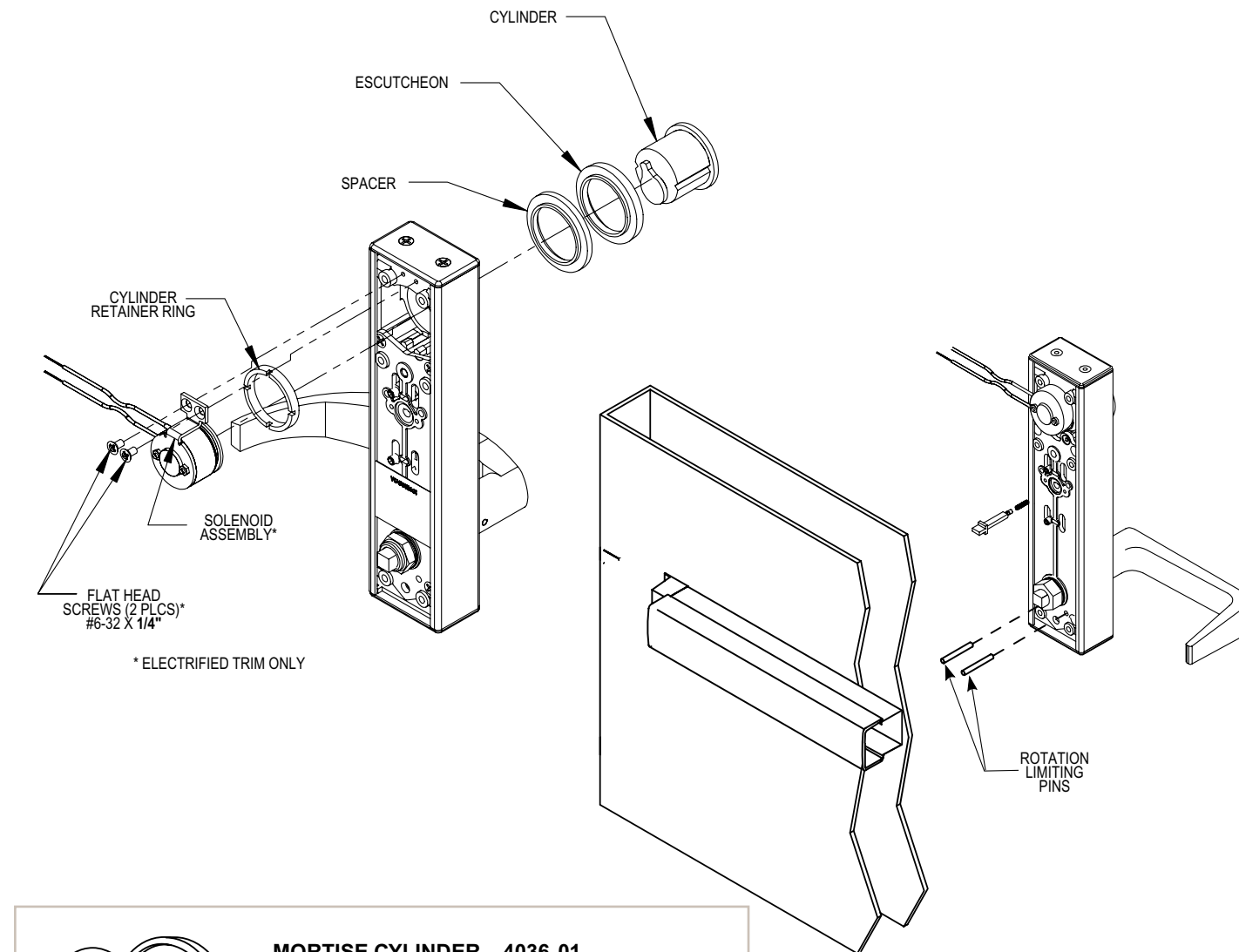
All measurements are approximate and are provided for informational purposes only. Refer to the product Installation Instructions.

Dimensions



Door Preparation & Trim Installation

Door prep and installation will differ depending on the type of exit device being used. Refer to the Adams Rite templates for 3080 Entry Trim or 3080E Electrified Entry Trim for preparation details.



MORTISE CYLINDER – 4036-01

- Standard diameter five-pin unit with MS cam, suitable for use with entry trim. Available in quantity all keyed different (KD), in pairs (KA2), or 50 alike (KA50). Any other make standard mortise cylinder with MS® cam can be used to key-in with existing systems.

CYLINDER CAM

- 3080 Series Entry Trim can accept any standard 1-5/32" diameter mortise cylinder with MS® cam dimensioned as shown. Cylinders with MS® cams can be readily obtained from most cylinder manufacturers. See CYLINDERS for cylinder make, thumbturn and trim ring information.

Dimensions: .120" R (3.0mm), .182" (4.6mm), "Dim A" .800" ± .005" (20.3mm ± .127mm)

* The 3080-01, -02, and -03 lever handles are designed to return within 1/2" of the door face. Handles in the Designer Series do not have this same feature. Please verify with local code requirements to ensure compliance.

** Handed