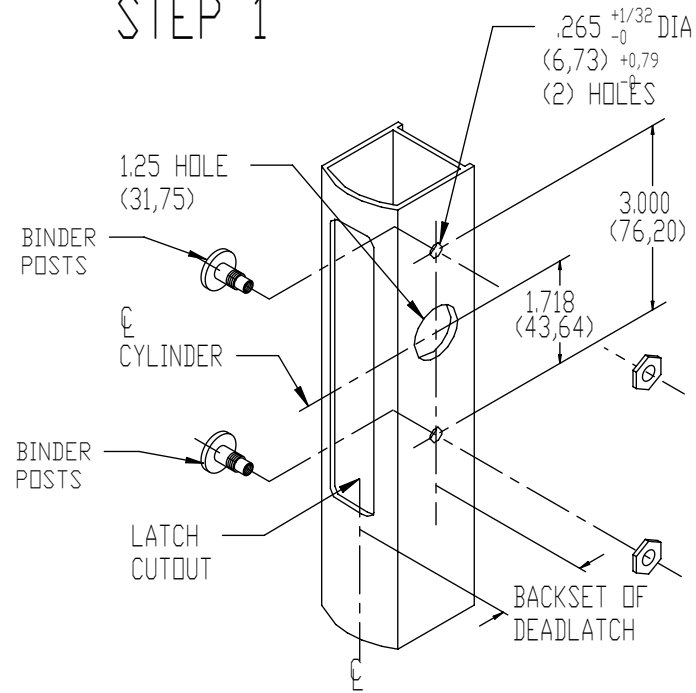
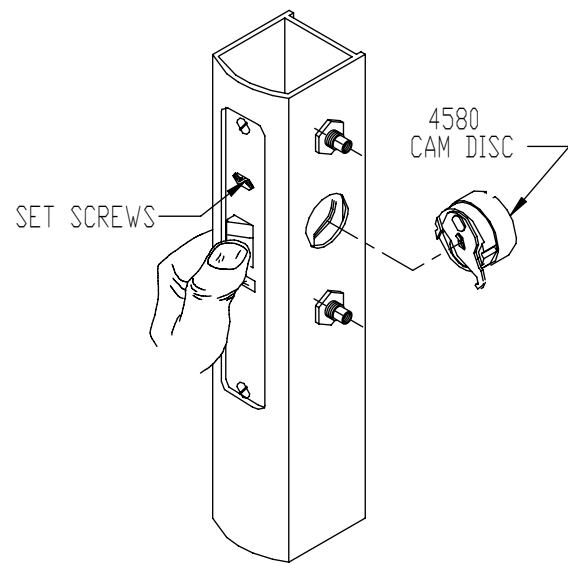


### STEP 1



- 1.PREPARE STILE AS SHOWN.
- 2.INSERT BINDER POST THRU .265 DIA. HOLE IN STILE.
- 3.SECURE BINDER POST WITH 1/4-28 NUT.  
(CAUTION: DO NOT OVERTIGHTEN NUT)

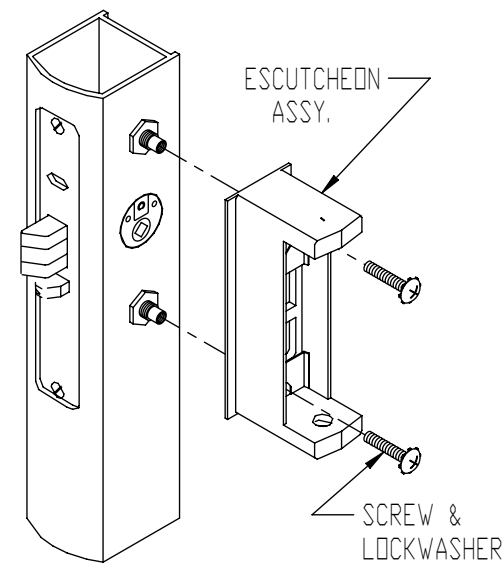
### STEP 2



- 1.INSTALL 4500, 4700 AND 4900 SERIES DEADLATCH PER MOUNTING INSTRUCTIONS.
- 2.INSTALL 4580 CAM DISC ASSY. SECURE WITH SETSCREW.

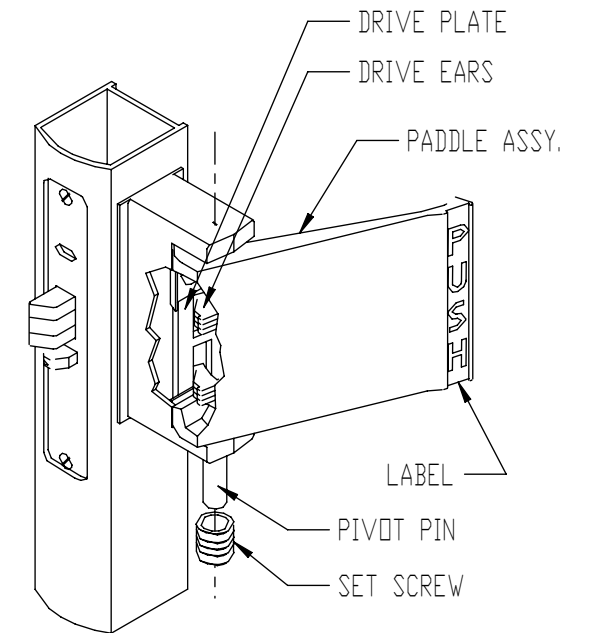
## INSTALLATION

### STEP 3



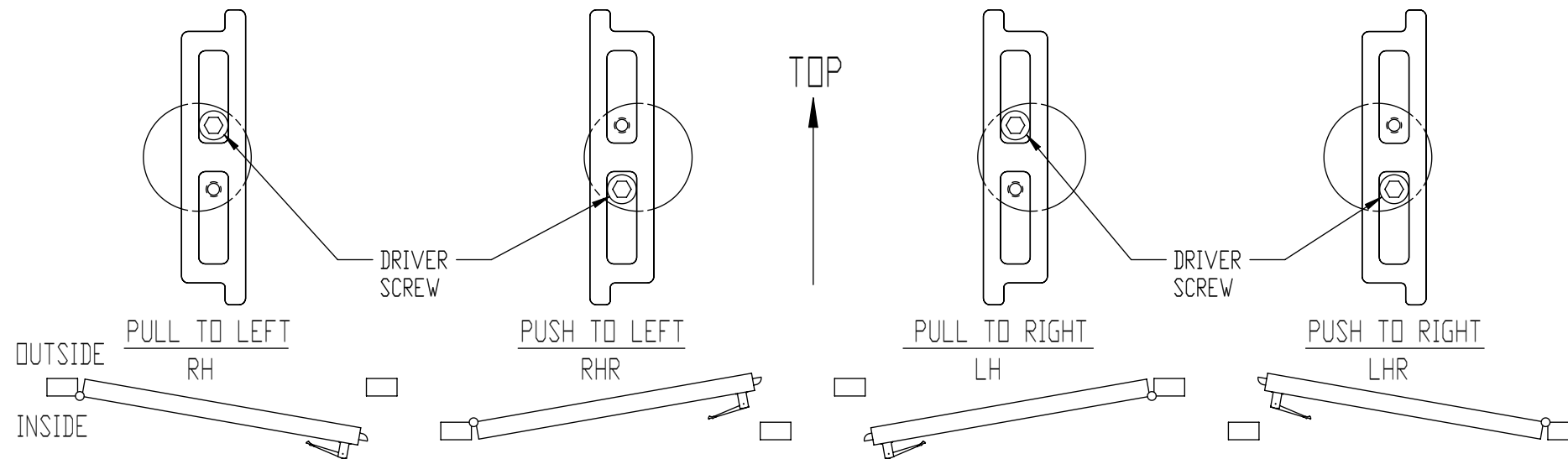
- 1.INSTALL ESCUTCHEON ASSY.
- 2.USING 8-32 SCREWS W/LOCKWASHER, SECURE ESCUTCHEON ASSY. TO BINDER POST.  
**IMPORTANT,**  
TIGHTEN THESE SCREWS SECURELY.

### STEP 4

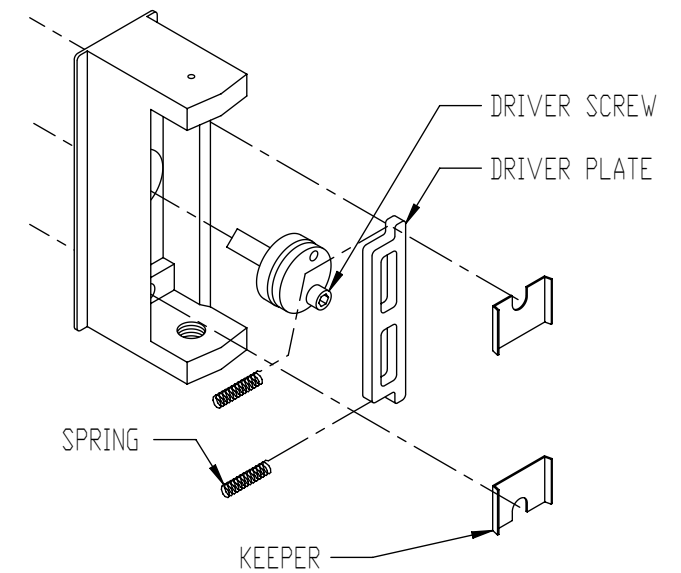


- 1.INSTALL PADDLE ASSY. ALIGN DRIVE EARS ON PADDLE WITH SLOT IN DRIVE PLATE.
- 2.INSTALL PIVOT PIN.
- 3.INSTALL PIVOT PIN SET SCREW. TIGHTEN SET SCREW FLUSH WITH BOTTOM OF ESCUTCHEON.

## INSTRUCTIONS FOR CHANGING HAND SEE REVERSE FOR CAM DISC ASSY.



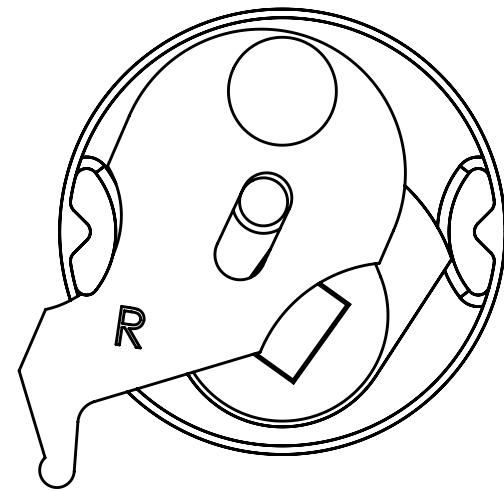
- 1.FIND DESIRED CONFIGURATION.
- 2.REMOVE KEEPERS TO SEE LOCATION OF SPRINGS & DRIVER PLATE.
- 3.REVERSE SPRINGS & DRIVER PLATE IF NECESSARY.
- 4.REMOVE DRIVER SCREW IF NECESSARY, AND PLACE IN DESIRED LOCATION.



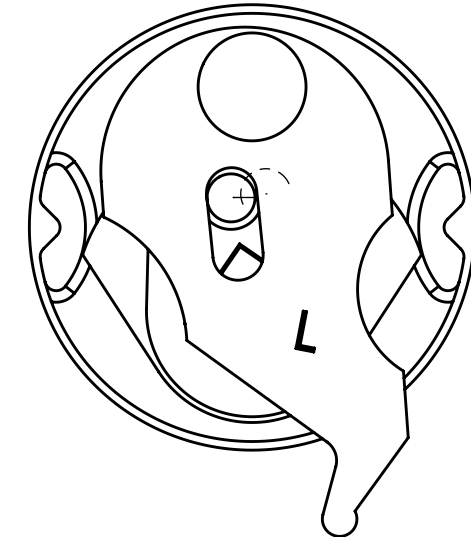
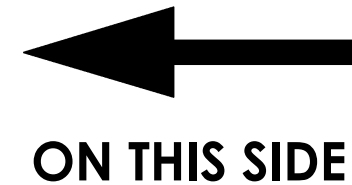
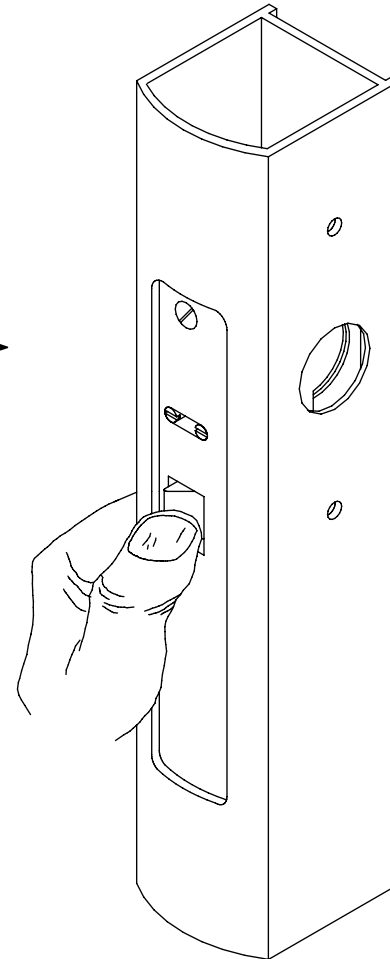
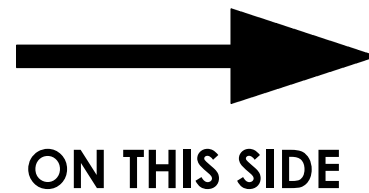
- 5.REPLACE KEEPERS.
- 6.CONFIGURE CAM DISC. (SEE REVERSE)

# 4580 CAM DISC HANDING

LOOKING AT THE EDGE OF THE DOOR, DETERMINE ON WHICH SIDE THE HANDLE OR OTHER OPERATOR IS TO BE INSTALLED.



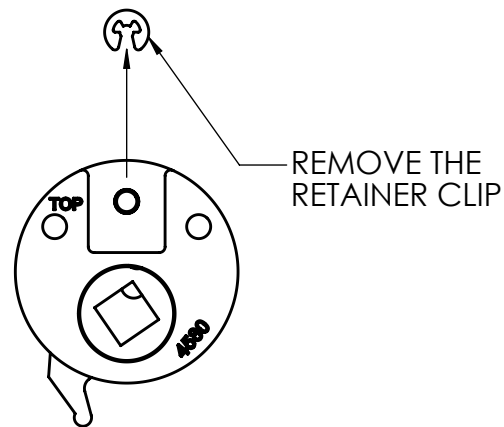
THE CAM DISC MUST BE HANDED AS SHOWN.



THE CAM DISC MUST BE HANDED AS SHOWN.

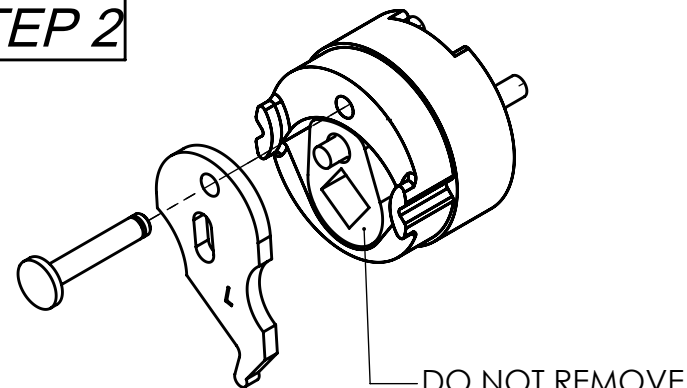
## INSTRUCTIONS FOR CHANGING HAND OF 4580 CAM DISC

### STEP 1



REMOVE THE RETAINER CLIP

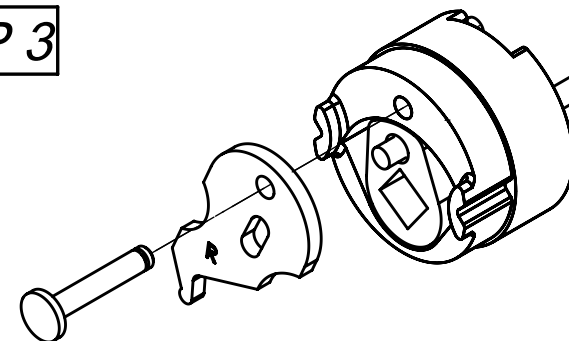
### STEP 2



DO NOT REMOVE THE DRIVER PIECE

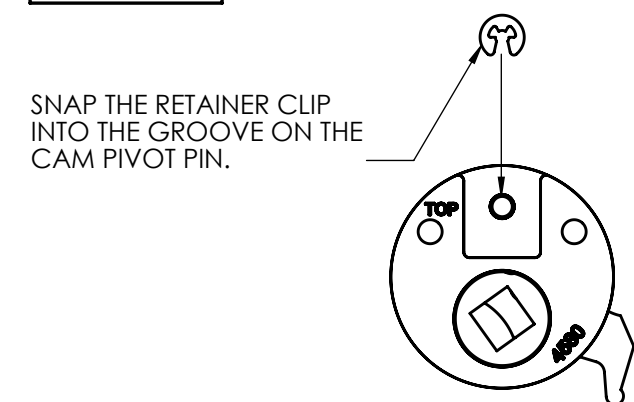
PULL THE CAM PIVOT PIN OUT OF THE CAM DISC AS SHOWN.

### STEP 3



TURN THE CAM OVER AND PUSH THE CAM PIVOT PIN THRU THE CAM AND INTO THE CAM DISC AS SHOWN.

### STEP 4



SNAP THE RETAINER CLIP INTO THE GROOVE ON THE CAM PIVOT PIN.



www.adamsrite.com  
Phone: 800-626-7590  
800-872-3267

4591 PADDLE OPERATOR

INSTALLATION INSTRUCTIONS

ASSA ABLOY

Fax: 866-582-4641  
800-232-7329

80-0180-200

Rev. E

ECN: 11955A

Date: 06-19-12

Page 2 of 2 Appvd: MP Date: 06-19-12