

3600 Series (Fire-Rated) 8500 Series (Life-Safety) Metal Door Concealed Vertical Rod Exit Device

HOLLOW
METALELECTRIFIED
OPTION

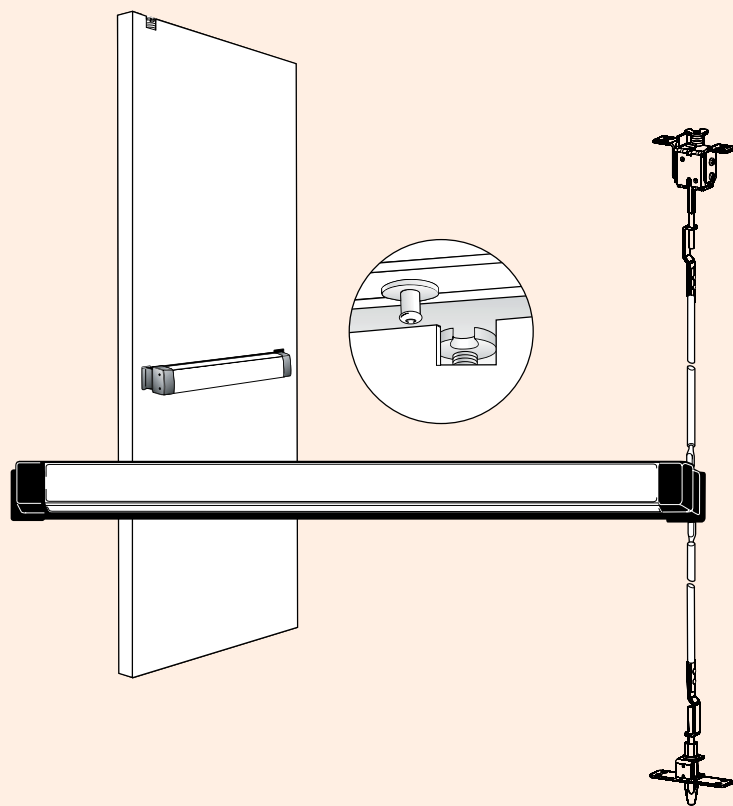
FIRE RATED



GRADE 1

3600 SERIES ONLY

3600 SERIES					
MODEL	TYPE	FIRE RATING	DOOR CONSTRUCTION	MAX SIZE SINGLE DOORS	MAX SIZE PAIRS & DOUBLE EGRESS
3600	CVR	3 Hr	Hollow metal	N/A	8'0" x 8'0"
3600T	CVR-TRO	1-1/2 Hr	Hollow metal	N/A	8'0" x 8'0"



Features

- Patented top latching mechanism interlocks door to frame
- Strong, durable construction for a high level of security
- Adjustable steel rods protected in contoured covers
- Easy to install
- Clean, unobtrusive design
- Pushbar clad or anodized, not plated, in a variety of finishes
- Also available in top rod only version

Specifications

3600 SERIES CERTIFICATIONS:

- UL Panic-Fire Exit Hardware, 3-Hour Fire Label
- California State Fire Marshall
- New York City MEA*
- Warnock/Hersey Listing

8500 SERIES CERTIFICATIONS:

- UL 305 Panic Hardware
- ANSI/BHMA A156.3 Grade 1
- California State Fire Marshall
- New York City MEA*

*Consult Factory for specific number

MATERIALS

- Pushbar made of extruded aluminum, clad or anodized in a variety of finishes.

HANDING

- Device is non-handed. Lever Entry Trim is field reversible.

PUSHBAR LENGTH

- Standard sizes: dimensioned for 30", 36", 42", and 48" openings. Standard width bars can be field cut to the next smallest opening width.

DOOR HEIGHT

- Standard unit adjustable for doors up to 66" above the selected bar height. For doors over 66" above bar height, up to 10 ft use 3655 Tall Door Kit.

DOOR THICKNESS

- Suits 1-3/4" standard, up to 2-1/4".

STILE WIDTH

- 3600 – Minimum 3-1/2". Door construction may require additional stile width to meet fire ratings and provide adequate strength.
- 8500 – Minimum 3-1/2".

PROJECTION

- 2-5/8" when fully projected, 1-5/8" when dogged.

DOGGING

- Standard dogging with hex key or optional cylinder dogging for 8500 Series only. Electric dogging also available for 3600 and 8500 Series.

FASTENERS

- Standard self-tapping screws. Optional Sex Bolt Kits 26-0584 (two required per device). Specify finish.

CYLINDERS

- See CYLINDERS section of this catalog for cylinder make, thumbturn and trim ring information. (Available separately).

CYLINDER X FIXED PULL (FUNCTION 03)

- Accepts any standard mortise cylinder with MS® cam.

3080 ENTRY TRIM (FUNCTIONS 08, 09)

- Accepts any standard diameter mortise cylinder with MS® cam. Accommodates cylinder lengths from 1" to 1-1/4". (Available separately).

WARRANTY

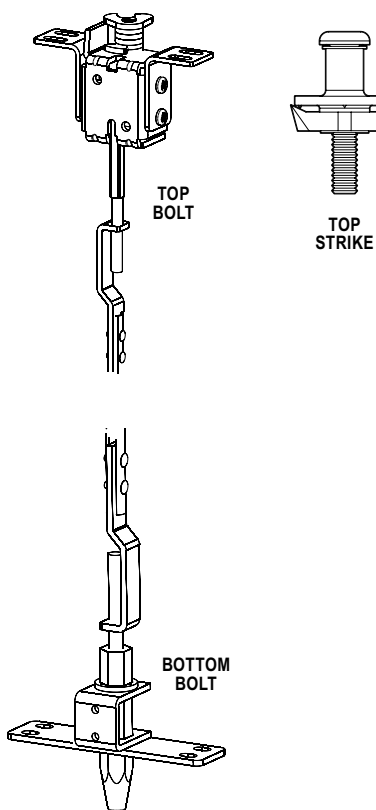
- Five year limited.

Bolts and Strikes

- The patented top latching mechanism utilizes a rotating top bolt which deadlatches around the header strike, interlocking the door to the frame. Supplied with standard header strike. The hexagonal, hardened steel bottom bolt is shielded in a cast housing for strength and stability.

Top Rod Only

- The concealed vertical rod exit device is also available with a single vertical rod on top. Specify by adding "T" after exit device number.

TOP BOLT
TOP STRIKE
BOTTOM BOLT

TOP ROD ONLY

TOP ROD ONLY

Options and Accessories

SILENT ELECTRIFICATION MOTORIZED LATCH RETRACTION

- The SE Motorized Latch Retraction option provides near-silent operation for quiet environments such as hospitals, offices, hotels, and libraries where solenoid-driven devices would be disruptive.

ELECTRIC LATCH RETRACTION

- The LR option uses a solenoid mounted in the pushbar for instantaneous unlocking and locking of the exit device from a remote location or access control device. LR option is not available on rim type exit devices (see EL option).

ALARMED EXIT DEVICE

- This battery-operated option emits a loud (95 decibel) alarm to notify management of unauthorized exit. Available on minimum opening width 36". Cannot be ordered with other exit device options.

REQUEST TO EXIT (REX) – MONITOR / SIGNAL SWITCH

- Mounted in the exit device pushbar on the hinge end, the switch can be used to activate signal light, horn, monitor, or other devices.

CYLINDER DOGGING

- For management control of dogging exit devices for life-safety exit devices only.

ELECTRIC DOGGING

- A holding magnet keeps the pushbar depressed (set manually) and the latch retracted for lower profile exit devices, resulting in less damage and quieter operation.

MATCHING END CAPS

- Matching end caps are available for applications where it is preferable that the end caps match the finish of the exit device. Available for US finishes only.

AVAILABLE FINISHES

- 313 Dark Bronze Anodized
- 335 Black Anodized
- 628 Clear Anodized
- US3 Bright Brass
- US4 Satin Brass
- US32 Bright Stainless
- US32D Satin Stainless

For more detailed information on any of the options and accessories listed above please see the Accessories page of the EXIT DEVICE section of this catalog.

HOW TO ORDER 3600 SERIES (FIRE-RATED) 8500 SERIES (LIFE-SAFETY) METAL DOOR CONCEALED VERTICAL ROD EXIT DEVICE

Specify quantity and the following information. Order related products separately.

MODEL	PUSHBAR FINISH	ROD TYPE	DEVICE OPTIONS	MONITORING OPTION	DOOR OPENING WIDTH On pair of doors, specify HALF of the total exit opening	US FINISH	END CAPS OPTION
85	00	T	ED	M	-36	-US32D	
36 Fire Rated	00 US Finish	T Top Rod only	LR Electric Latch Retraction	M Single Switch	30 30 inches	US3 Bright Brass	MEC Matching End Caps
85 Life-Safety	11 Clear Anodized 628	- Standard rod	SE Silent Electrification Latch Retraction	M2 Dual Switch	36 36 inches	US4 Satin Brass	
	22 Dark Bronze Anodized 313		C Cylinder Dogging (non-fire rated devices only)	(Blank) No Monitor	42 42 inches	US32 Bright Stainless	
	33 Black Anodized 335		ED Electric Dogging		48 48 inches	US32D Satin Stainless	
			(Blank) No Option		AXXB Alarmed Exit Device where XX is door opening width		

NOTE that Alarmed Exit Device option cannot be combined with Device Options or Monitoring Options.
ALSO NOTE: Split finishes (faceplate/pushbar) are not available.

RELATED ANSI TRIM FUNCTIONS

01	02	03	08	09	14
Exit only – no outside operation	No outside operation – pull only when dogged	Night latch – key retracts latch	Key outside unlocks/locks lever	Night latch - key unlocks trim, trim retracts latch/trim relocks when key is removed	Passage only
Cylinder Type					
N/A	N/A	Mortise	Mortise	Mortise	N/A

Please see TRIM Section of this catalog for information on Pulls and Entry Trim.

RELATED PRODUCTS

When purchasing this product, please consider the following related products, available separately:

Accessories	Cylinders	Trim	Power
REX-Monitor/Signal Kits. Optional Sex Bolt Kits 26-0584 (two per device). 3655 Tall Door Kit. Trim Function 03 (key retracts latch) requires 8650 Cylinder Escutcheon kit.	Adams Rite exit devices are operable by either rim or mortise cylinders depending upon the ANSI/BHMA functions of the exit device.	Entry trim and fixed.	PS-SE, PS-LR, and 4612 Power Transfer Device.