

## CPM

### Camera Ceiling Pendant Mount



- Aluminum Alloy Material with Surface Spray Treatment
- Waterproof Design

## Specifications

CPM	
Appearance	Hikvision white
Range of Application	Suitable for various pendant caps
Material	Aluminum alloy
Dimensions	Ø150 mm x 500 mm (Ø5.91" x 19.69")
Weight	585 g [20.64 ozs]

**NOTE:** Pay attention to color matching.

Install bracket on flat surface.

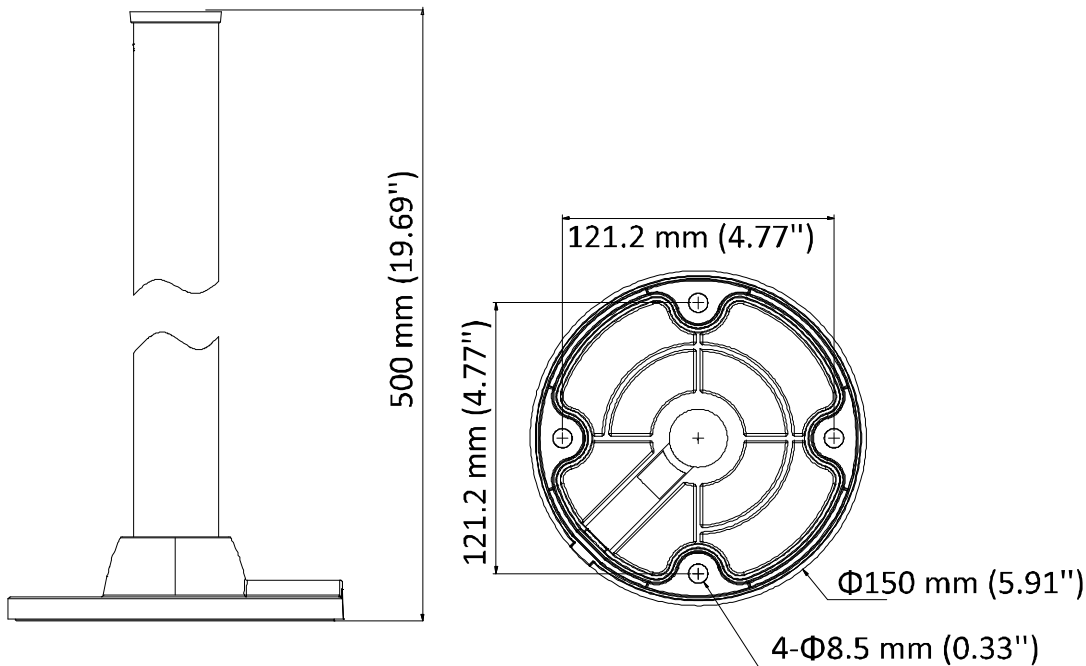
The surface must be capable of supporting over three times as much as the total weight of the camera and the mount.

The maximum load capacity of the bracket is 6.6 lb [3 kg]

**Available model:**

CPM

## Dimensions



**NOTE:** The actual bracket may vary from the picture above.