

## PMP

### Pole Mount Adapter for WMP-S and WMP-L

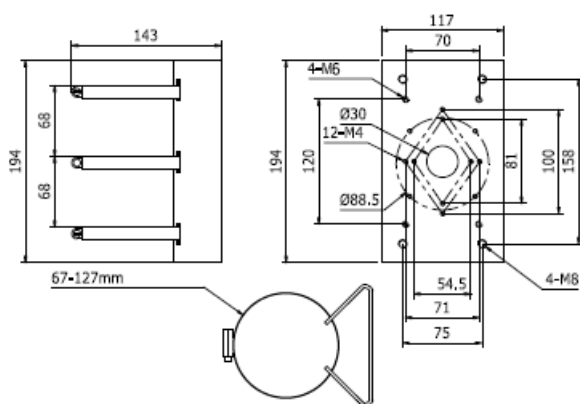
- Aluminum Alloy Material with Surface Spray Treatment

The PMP is designed to facilitate the mounting of Hikvision PTZ domes, with either WMP-S or WMP-L wall brackets, to poles between 67 and 127mm circumference. The pole must be capable of supporting over 3 times the total weight of the camera and mount. The maximum load capacity of the bracket is 30 kg.

Available Model: PMP



### Dimensions



### Specifications

PMP	
Appearance	Hikvision White
Material	Aluminum Alloy
Dimension	5.63" x 4.61" x 7.64" (143 x 117 x 194 mm)
Weight	1.94 lbs (900 g)