

1.3MPx Covert IP Camera

Open Standards IP Camera



OVERVIEW

The Interlogix® TruVision 1.3MPx Covert IP Camera delivers high-definition images for exceptional surveillance performance. Featuring 1.3MPx resolution and advanced signal processing capability, this camera represents an IP solution for retail, banking, airports, gaming and other applications where video camera concealment is desirable. In addition, the privacy mask feature can be used to conceal sensitive areas and safeguards confidential locations.

Bandwidth usage is easily managed through H.264 compression with triple streaming capability. Video streams can be set for high and low bandwidth with images streamed for live viewing or sent to designated recording locations. For enhanced compatibility, this camera adheres to ONVIF Profile S open standards and supports a CGI command set for simple integration into any IP system.

The 1.3MPx Covert IP Camera also simplifies remote, live monitoring and playback of edge-recorded video and audio. A built-in micro SD/SDHC/SDXC memory card slot supports the ability to provide redundancy if an unexpected network disruption were to occur.

STANDARD FEATURES

Video

- 1/3" CMOS image sensor
- 1280 X 960 resolution
- 0.01 lux (color)
- H.264 compression with triple-streaming capability
- ONVIF Profile S open standards design

Video Enhancement

- Digital day/night
- Up to 120dB WDR
- Region of Interest (ROI) function

On-board Storage

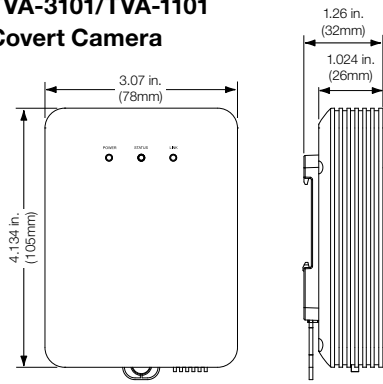
- Micro SD/SDHS/SDXC card slot - supports up to 64GB (card not included)

Audio and Alarms

- Bi-directional audio
- Alarm inputs and outputs
- Embedded Video Intelligence: Cross line, Intrusion, De-focus and Face Detection capabilities

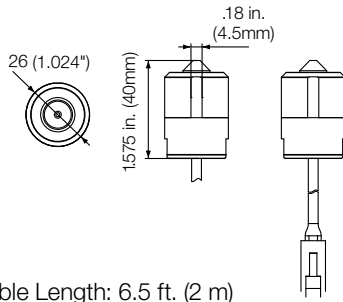
Dimensional Diagrams

TVA-3101/TVA-1101 Covert Camera



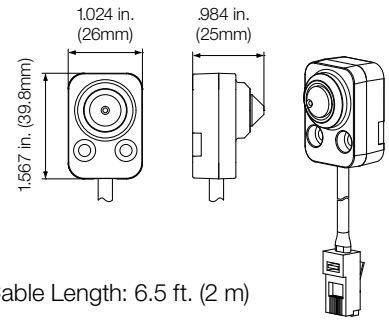
Accessories

TVL-0101 Pinhole Lens



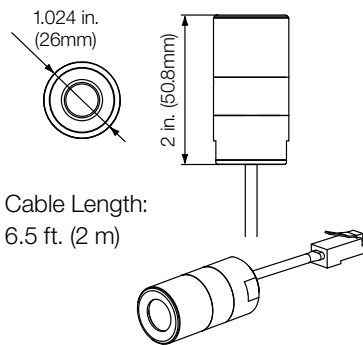
Cable Length: 6.5 ft. (2 m)

TVL-0102 L-Shape Lens



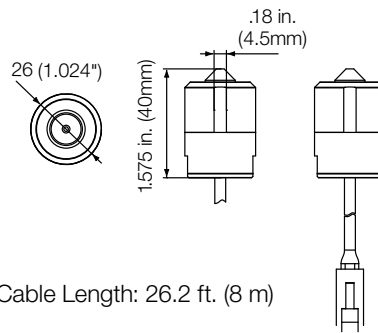
Cable Length: 6.5 ft. (2 m)

TVL-0103 Cylinder Lens



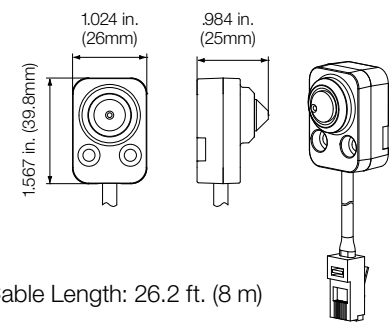
Cable Length:
6.5 ft. (2 m)

TVL-0104 Pinhole Lens



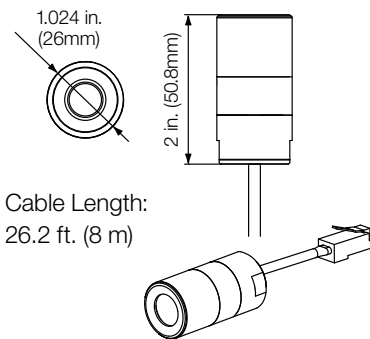
Cable Length: 26.2 ft. (8 m)

TVL-0105 L-Shape Lens



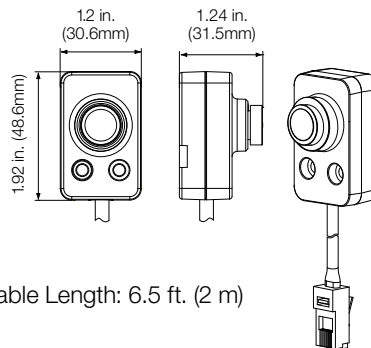
Cable Length: 26.2 ft. (8 m)

TVL-0106 Cylinder Lens



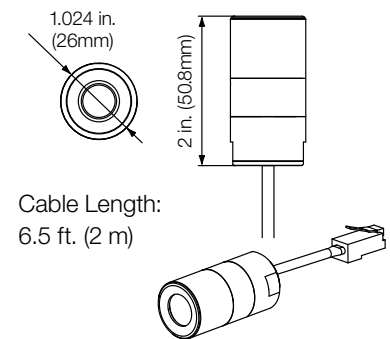
Cable Length:
26.2 ft. (8 m)

TVL-0107 L-Shape Lens



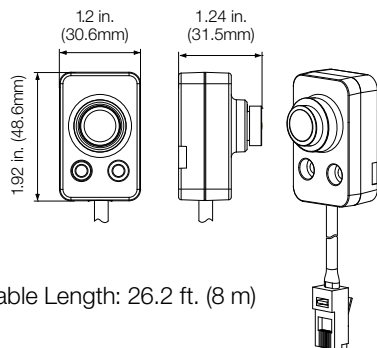
Cable Length: 6.5 ft. (2 m)

TVL-0108 Cylinder Lens



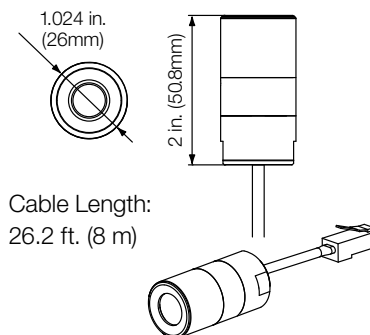
Cable Length:
6.5 ft. (2 m)

TVL-0109 L-Shape Lens



Cable Length: 26.2 ft. (8 m)

TVL-0110 Cylinder Lens



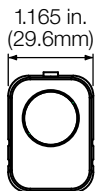
Cable Length:
26.2 ft. (8 m)

Covert Lens Specifications

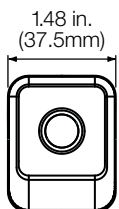
		TVL-0101	TVL-0102	TVL-0103	TVL-0104	TVL-0105	TVL-0106	TVL-0107	TVL-0108	TVL-0109	TVL-0110
	Description										
Lens	Lens Type	Pinhole, 3.7mm @ f2.3	L-Shape, 3.7mm @ f2.3	Cylinder, 4mm @ f2	Pinhole, 3.7mm @ f2.3	L-Shape, 3.7mm @ f2.3	Cylinder, 4mm @ f2	L-Shape, 2mm @ f2	Cylinder, 2mm @ f2	L-Shape, 2mm @ f2	Cylinder, 2mm @ f2
	Field of View (FOV)	57°	57°	73°	57°	57°	73°	115°	120°	115°	120°
Cable	Connection	RJ12	RJ12	RJ12	RJ12	RJ12	RJ12	RJ12	RJ12	RJ12	RJ12
	Cable Length	6.5 ft. (2 m)	6.5 ft. (2 m)	6.5 ft. (2 m)	26.2 ft. (8 m)	26.2 ft. (8 m)	26.2 ft. (8 m)	6.5 ft. (2 m)	6.5 ft. (2 m)	26.2 ft. (8 m)	26.2 ft. (8 m)
Mechanical/Environment	Dimensions	1.02 x 1.58 in. (26 x 40mm)	1.46 x 1.02 x 0.98 in. (37 x 26 x 25mm)	1.02 x 2 in. (26 x 51mm)	1.02 x 1.58 in. (26 x 40mm)	1.46 x 1.02 x 0.98 in. (37 x 26 x 25mm)	1.02 x 2 in. (26 x 51mm)	1.92 x 1.21 x 1.24 in. (48.7mm x 30.7 x 31.5 mm)	1.02 x 2 in. (26 x 51mm)	1.92 x 1.21 x 1.24 in. (48.7mm x 30.7 x 31.5 mm)	1.02 x 2 in. (26 x 51mm)
	Weight	0.25 lbs. (113g)	0.22 lbs. (99g)	0.28 lbs. (127g)	0.51 lbs. (231g)	0.49 lbs. (222g)	0.53 lbs. (240g)	0.53 lbs. (240g)	0.28 lbs. (127g)	0.28 lbs. (127g)	0.53 lbs. (240g)
	Storage Temperature	-4°F ~ 158°F (-20°C ~ 70°C)	-4°F ~ 158°F (-20°C ~ 70°C)	-4°F ~ 158°F (-20°C ~ 70°C)	-4°F ~ 158°F (-20°C ~ 70°C)	-4°F ~ 158°F (-20°C ~ 70°C)	-4°F ~ 158°F (-20°C ~ 70°C)	-4°F ~ 158°F (-20°C ~ 70°C)	-4°F ~ 158°F (-20°C ~ 70°C)	-4°F ~ 158°F (-20°C ~ 70°C)	-4°F ~ 158°F (-20°C ~ 70°C)
	Operating Temperature	-22°F ~ 140°F (-30°C ~ 60°C)	-22°F ~ 140°F (-30°C ~ 60°C)	-22°F ~ 140°F (-30°C ~ 60°C)	-22°F ~ 140°F (-30°C ~ 60°C)	-22°F ~ 140°F (-30°C ~ 60°C)	-22°F ~ 140°F (-30°C ~ 60°C)	-22°F ~ 140°F (-30°C ~ 60°C)	-22°F ~ 140°F (-30°C ~ 60°C)	-22°F ~ 140°F (-30°C ~ 60°C)	-22°F ~ 140°F (-30°C ~ 60°C)

Included Accessories

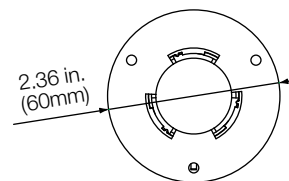
L-Shape Mounting Bracket



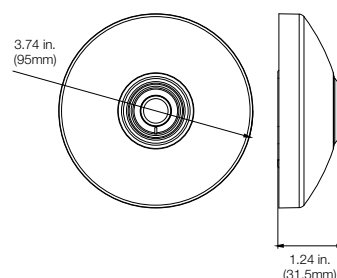
L-Shape Lens Cover



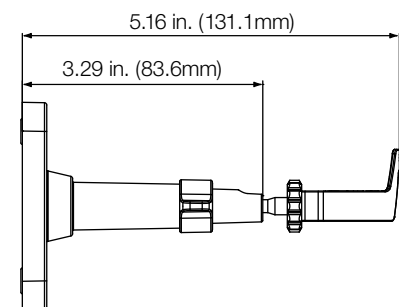
Pinhole Lens Mounting Bracket



L-Shape 2mm Lens Round Cover



Cylinder Lens Mounting Bracket



1.3MPx Covert IP Camera

Open Standards IP Camera

Specifications

Sensor	1/3" Progressive Scan CMOS
Resolution	1.3MPx
Day/Night	Digital D/N
IP Compression/Standard	H.264 (Baseline profile/Main profile/High profile)/MPEG4/MJPEG
Maximum Resolution (@ fps)	1280 X 960
Maximum Real Time Resolution (@ fps)	1280 x 960 @ 30fps (60Hz) 1280 x 960 @ 25fps (50Hz)
Multiple Streaming	Triple Streams
Video Bit Rate	128Kbps to 16Mbps, adjustable
Wide Dynamic Range (WDR)	120dB
Sensitivity	0.01 lux @ f1.2, AGC On (Color)
Digital Noise Reduction	3D DNR
Auto Exposure (shutter)	1s - 1/100,000s
Lens Connector	RJ12

Network

Ethernet	10/100Mbps Auto-negotiate
Network Protocol	TCP/IP, UDP, HTTP, DHCP, DNS, DDNS, ezDDNS, DynDNS, RTP, RTSP, PPPoE, SMTP, NTP, SNMP, HTTPS, FTP, UPnP, NAT, MULTICAST, 802.1x, Qos, IPv4, IPv6
Connector	RJ45
PoE	IEEE 802.3-af

Local Storage

Media	Built-in micro SD/SDHC/SDXC card slot (card not included)
Capacity	Up to 64GB

Audio

Input	1 ch. 3.5mm audio interface (2.0 - 2.4 Vp-p, 1K ohm)
Output	1 ch. 3.5mm audio interface (Line level, 600 ohm)
Audio Bitrate	(G.711) / 16Kbps (G.722.1) / 16Kbps (G.726) / 32-128Kbps (MP2L2)

Data Communications

Interface	(1) RS-232
-----------	------------

Camera Alarm

Intelligence	Motion Detection, Tamper Detection, Privacy Mask, Face Detection, Audio Exception Detection, Cross Line, Intrusion Detection, De-focus Detection, Scene Change Detection
--------------	--

Display

Display Mode	Region of Interest (ROI), Hallway View, Mirror, De-fog, Electronic Image Stabilization
On Screen Display (OSD)	Text overlay and picture overlay

Electrical

Voltage Input	12VDC, PoE (IEEE 802.3-af)
Power Consumption	Max. 6.5W
I/O Connection	Terminal type, 1/1

Mechanical/Environmental

Dimensions (W x H x D)	3.07 x 4.13 x 1.26 in. (78 x 105 x 32mm)
Weight	0.463 lbs. (210g)
Storage Temperature	-4°F~-158°F (-20°C~-70°C)
Operating Temperature	-22°F~-140°F (-30°C~-60°C)
Environmental Rating	Indoor

Regulation

Compliance	FCC, CE, UL, C-Tick, REACH, RoHS, WEEE
------------	--

Ordering Information

TVA-3101	TruVision Covert Camera, 1.3MPx, WDR, Digital D/N, Single Lens, Audio, Alarm, SD/SHDC/SDXC Slot, Intelligence, PoE (802.3-af) /12VDC, NTSC
TVA-1101	TruVision Covert Camera, 1.3MPx, WDR, Digital D/N, Single Lens, Audio, Alarm, SD/SHDC/SDXC Slot, Intelligence, PoE (802.3-af) /12VDC, PAL

Lens Options*

TVL-0101	TruVision Covert Lens, 1.3MPx, Pinhole, 3.7mm, 2m Cable
TVL-0102	TruVision Covert Lens, 1.3MPx, L-shape, 3.7mm, 2m Cable
TVL-0103	TruVision Covert Lens, 1.3MPx, Cylinder, 4mm, 2m Cable
TVL-0104	TruVision Covert Lens, 1.3MPx, Pinhole, 3.7mm, 8m Cable
TVL-0105	TruVision Covert Lens, 1.3MPx, L-shape, 3.7mm, 8m Cable
TVL-0106	TruVision Covert Lens, 1.3MPx, Cylinder, 4mm, 8m Cable
TVL-0107	TruVision Covert Lens, 1.3MPx, L-shape, 2.0mm, 2m Cable
TVL-0108	TruVision Covert Lens, 1.3MPx, Cylinder, 2.0mm, 2m Cable
TVL-0109	TruVision Covert Lens, 1.3MPx, L-shape, 2.0mm, 8m Cable
TVL-0110	TruVision Covert Lens, 1.3MPx, Cylinder, 2.0mm, 8m Cable

* Lens must be ordered separately in addition to the base camera module.



interlogix.com

Specifications subject to change without notice.

© 2016 United Technologies Corporation.

All rights reserved.

All trademarks are the property of their respective owners.

Interlogix is part of UTC Climate, Controls & Security,

a unit of United Technologies Corporation.

507-3946 2016/05 (LI-1541)