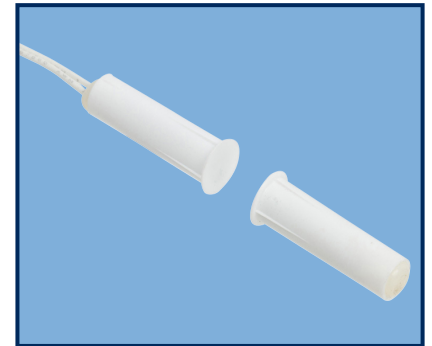


DESCRIPTION

Nascom's N75 Series standard length 3/8" recessed contact protects all non-ferrous (e.g. wood, aluminum and vinyl) doors and windows in both residential and commercial settings.

The N75 is the installer's choice of contact configuration where drill depth is not a concern and maximum air and side-to-side gaps are required to prevent false alarms caused by shifting or warping doors and windows.



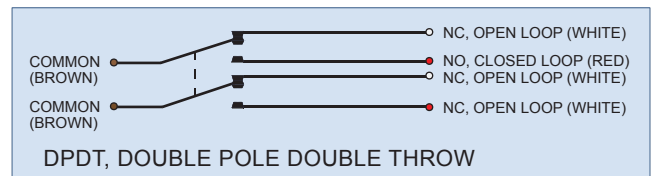
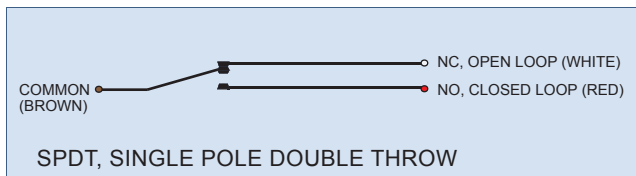
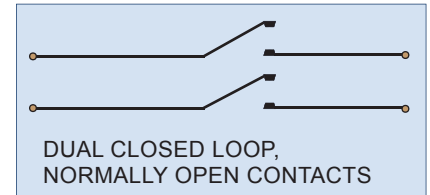
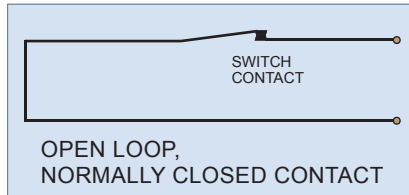
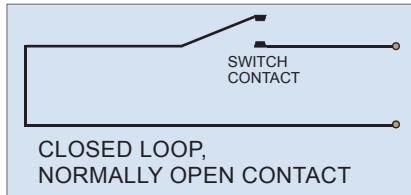
FEATURES

- PRESS FIT - NO GLUE REQUIRED
- 12" 22AWG WIRE LEAD
- WIDE GAP - N35 NdFeB RARE EARTH MAGNET
- ENCAPSULATED HERMETICALLY SEALED CONTACTS
- POLYPROPYLENE HOUSINGS
- LISTED TO UL634 STANDARD

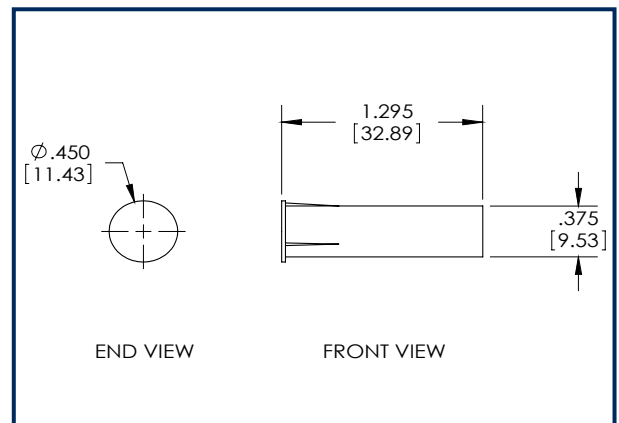
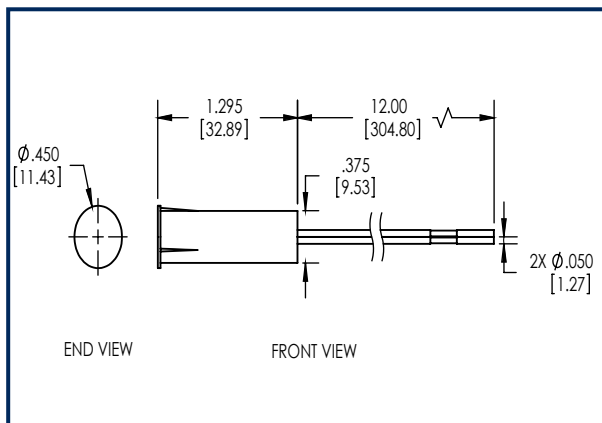
ORDERING INFORMATION

PART NUMBER	COLOR	OPERATE GAP (in inches)	CONTACT RATING (Max DC/Peak AC Resistive)				STATIC CONTACT RESISTANCE (50mV, 100mA)
			SWITCHING		CARRY		
			V	I	V	I	
CLOSED LOOP, NORMALLY OPEN, 1FA, SWITCH/MAGNET SET:							
N75B/ST N75G/ST N75W/ST	BROWN GREY WHIITE	0.80 to 1.25	200 VDC	0.5 Amps	10vA	1.5 Amps	150 mOhms
DUAL CLOSED LOOP, NORMALLY OPEN, 1FA, SWITCH/MAGNET SET:							
N75B/ST2CR N75G/ST2CR N75W/ST2CR	BROWN GREY WHIITE	0.80 to 1.25	200 VDC	0.5 Amps	10vA	1.5 Amps	150 mOhms
OPEN LOOP, NORMALLY CLOSED, 1FB, SWITCH/MAGNET SET:							
N75B/STFB N75G/STFB N75W/STFB	BROWN GREY WHIITE	0.65 to 0.90	30 VDC	0.2 Amps	3vA	0.5 Amps	150 mOhms
SINGLE POLE, DOUBLE THROW SWITCH/MAGNET SET:							
N75B/STSD N75G/STSD N75W/STSD	BROWN GREY WHIITE	0.65 to 0.90	30 VDC	0.2 Amps	3vA	0.5 Amps	150 mOhms
DOUBLE POLE, DOUBLE THROW SWITCH/MAGNET SET:							
N75B/STDD N75G/STDD N75W/STDD	BROWN GREY WHIITE	0.65 to 0.90	30 VDC	0.2 Amps	3vA	0.5 Amps	150 mOhms
HIGH SECURITY, NORMALLY OPEN, 1FA, SWITCH/MAGNET SET:							
N75B/STHS N75G/STHS N75W/STHS	BROWN GREY WHIITE	0.27 to 0.70	300 VDC	0.25 Amps	10vA	0.25 Amps	150 mOhms initial

WIRING SCHEMATIC



DIMENSIONS - IN [mm]



INSTALLATION INSTRUCTIONS

- Mark location for the switch on the door frame and mark the location for the magnet on the top edge of the door.
- Make sure switch and magnet hole locations are aligned.
- Using a square, transfer the marks on to the top edge of the door and the opposing door frame.
- Using a tape measure or graduations on the square, locate the center of the door edge and place an intersecting line with the first mark. Drill a 3/8" hole at the location where the marks intersect.
- Repeat the above step to locate the hole position for the switch in the door frame. Drill a 3/8" hole in the door frame.
- Press the magnet into the hole you drilled in the door until flush with top edge of door.
- Connect the switch leads to the alarm system. **Caution! Hold wire leads, not the switch housing while cutting and stripping to prevent damage to switch.**
- Insert wire leads into hole followed by the switch and press the switch into the hole until the head is flush with the door frame
- Test switch for correct operation and make sure gap performance is acceptable.

PART NUMBER SYSTEM

N75 X / XX XXX XXXX XX XXX X XX

COLOR:

- W = WHITE
- B = BROWN
- G = GREY
- T = TAN

PRODUCT TYPE (1 or 2 digits):

- ST = SWITCH/MAGNET SET
- SW = SWITCH ONLY
- M = MAGNET ONLY

CIRCUIT (0, 2 or 3 digits):

- Blank = CLOSED LOOP
- 2CR = DUAL CLOSED LOOP
- FB = OPEN LOOP
- SD = SPDT
- DD = DPDT
- HS = HIGH SECURITY

LEAD LENGTH (zero, 3 or 4 digits):

- Blank - 12 Inches
- All other lengths specified in Inches with 3 digits (e.g. 036 = 36 Inches)

END OF LINE RESISTOR (zero to 4 digits):

- Blank = Resistor in series with the switch
- P = Resistor in parallel with the switch
- SP = Resistor 1 in series to the switch; resistor 2 in parallel to the switch

BUILT-IN END OF LINE RESISTOR VALUE (zero to 4 digits):

- Blank = No built-in end of line resistor
- All other resistor values are specified (e.g. 1K = 1,000 Ω)

LEAD WIRE COLOR (zero to 2 digits):

- Blank = Switch Color except:
 - » resistor contacts standard is red wire
 - » all 2 conductor jacketed wire is grey
- BL = Blue leads
- OL = Orange leads

WIRE TYPE (0 or 1 digit):

- Blank = UL1061 | 22AWG | 7/30
- Z = Zipcord ZIP NEC (UL) TYPE CL2
- J = 2-conductor PVC Jacketed NEC Type CL2 and CM