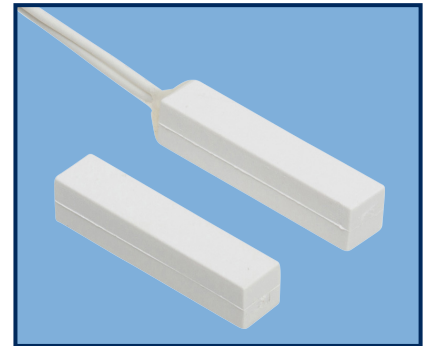


DESCRIPTION

Nascom's N25WG Series, 1/4" stick on contact, protects all nonferrous (e.g. wood, aluminum and vinyl) doors and windows, in both residential and commercial settings.

The N25WG is the installer's choice of contact configuration where excellent air and side-to-side gap are required to prevent false alarms caused by shifting or warping doors and windows.



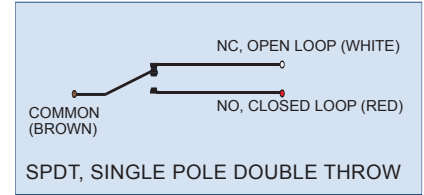
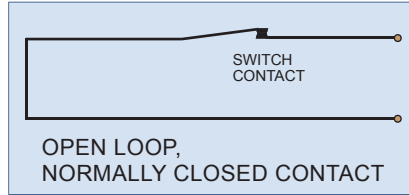
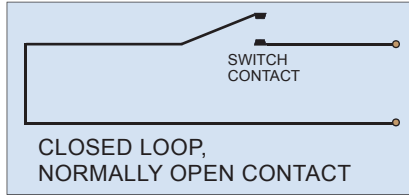
FEATURES

- 12" 22AWG WIRE LEADS
- WIDE GAP - N35 NdFeB RARE EARTH MAGNET
- LISTED TO UL634 STANDARD
- ENCAPSULATED HERMETICALLY SEALED CONTACTS
- 3M VHB (Very High Bond) DOUBLE SIDED TAPE
- ABS HOUSINGS

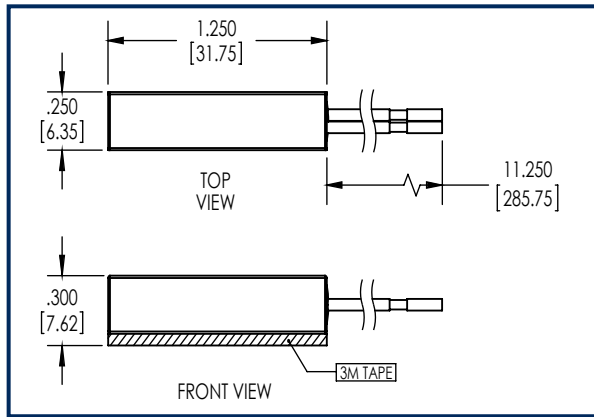
ORDERING INFORMATION

PART NUMBER	COLOR	OPERATE GAP (in inches)	CONTACT RATING (Max DC/Peak AC Resistive)				STATIC CONTACT RESISTANCE (50mV, 100mA)
			SWITCHING		CARRY		
			V	I	V	I	
CLOSED LOOP, NORMALLY OPEN, 1FA, SWITCH/MAGNET SET:							
N25WGSW/ST N25WGB/ST N25WGG/ST N25WGT/ST N25WGW/ST	SNOW WHITE BROWN GREY TAN WHITE	0.75 to 1.125	200 VDC	0.5 Amps	10vA	1.5 Amps	150 mOhms
OPEN LOOP, NORMALLY CLOSED, 1FB, SWITCH/MAGNET SET:							
N25WGSW/STFB N25WGB/STFB N25WGG/STFB N25WGT/STFB N25WGW/STFB	SNOW WHITE BROWN GREY TAN WHITE	0.65 to 1.00	30 VDC	0.2 Amps	3vA	0.5 Amps	100 mOhms
SINGLE POLE DOUBLE THROW, SWITCH/MAGNET SET:							
N25WGSW/STSD N25WGB/STSD N25WGG/STSD N25WGT/STSD N25WGW/STSD	SNOW WHITE BROWN GREY TAN WHITE	0.65 to 1.00	30 VDC	0.2 Amps	3vA	0.5 Amps	100 mOhms

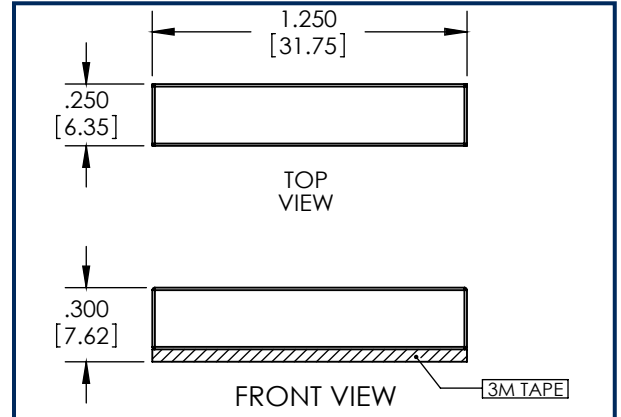
WIRING SCHEMATIC



DIMENSIONS - IN [mm]



SWITCH



MAGNET

INSTALLATION INSTRUCTIONS

- Pre-fit the switch and magnet in the desired location on the window.
- Clean the mounting surface area for both switch and magnet with alcohol and let dry.
- Remove the liner from the tape on the back of the switch and carefully position the switch on the window frame as close as possible to the movable part of the window.
- Remove the liner from the tape on the back of the magnet and carefully align the magnet parallel with the switch on the movable part of the window and as close to the window frame as possible.
- Apply firm pressure to the switch and magnet housing to ensure proper adhesion to the mounting surface.
- Connect the switch leads to the alarm system circuit. **Caution!** Hold wire leads, not the switch housing while cutting and stripping to prevent damage to switch.
- Test alarm system for correct operation.

PART NUMBERING SYSTEM

