

# Helios White 360°

Solar/Battery Powered White LED Light



## HELIOS Off-Grid 360° White LED Floodlight

HELIOS lights are designed for Solar/Battery and other Off-Grid systems with an input voltage of 9 to 28 VDC. The HELIOS 360° provides, long range, full 360 degree light coverage. The Pan/Tilt mounting system adds additional illumination control and flexibility.

### Easy Integration & Control

Seamless and precise integration via input output (I/O) ports. Sync with a camera, motion sensor or any other system device with I/O ports. The automatic DAY/NIGHT switch turns the light ON/OFF based upon lighting conditions.

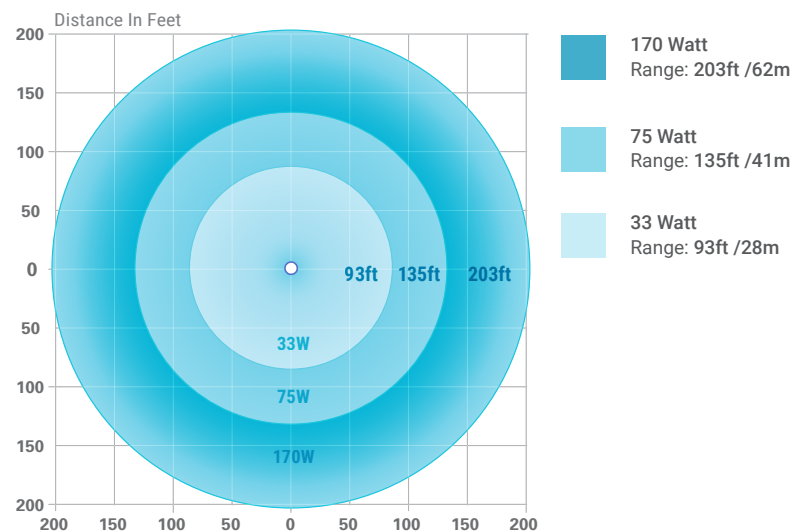
### Lifetime Warranty - Made in the USA

Covered by a lifetime warranty with advanced replacement. Designed and manufactured in the USA.

## Features

- Advanced Technology Energy Efficient LEDs
- Designed for OFF- GRID, 9 to 28 VDC Input
- Models: 33, 75 or 170 Watt
- Up to 28,500 Lm & 203ft (170 Watt)
- Outdoor IP67 Rated
- I/O Port Sync with Sensors, Devices
- Automatic DAY/NIGHT Switch
- **Lifetime Warranty, Made in the USA**

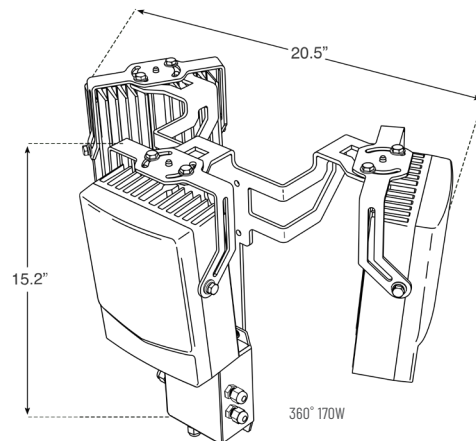
## Illumination Range



## Specifications

White Visible Light Temp: 6000K	Lumens	170W: 28,500 Lm
		75W: 12,600 Lm
		33W: 5,400 Lm
Input Voltage	9 to 28 VDC	
Power Consumption	33, 75 or 170 Watts	
Operating Temperature	-58° to 140°F / -50° to 60°C	
Dimensions	20.5" x 20.5" x 15.2" (varies by model)	
Weight	15 - 28 lbs / varies by model	
Environmental	Outdoor IP67 Rated	
Mounting	Pan/Tilt Mounting System*	

\*Pole or Corner Mount Required (depending upon mounting location)



801 Robinson Drive, Suite #500, North Salt Lake, UT 84054  
 ☎ 801/519-0500 📠 801/519-0501 ✉ sales@axtontech.com 🌐 axtontech.com

